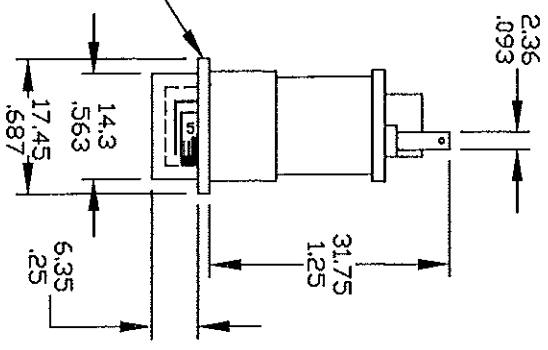
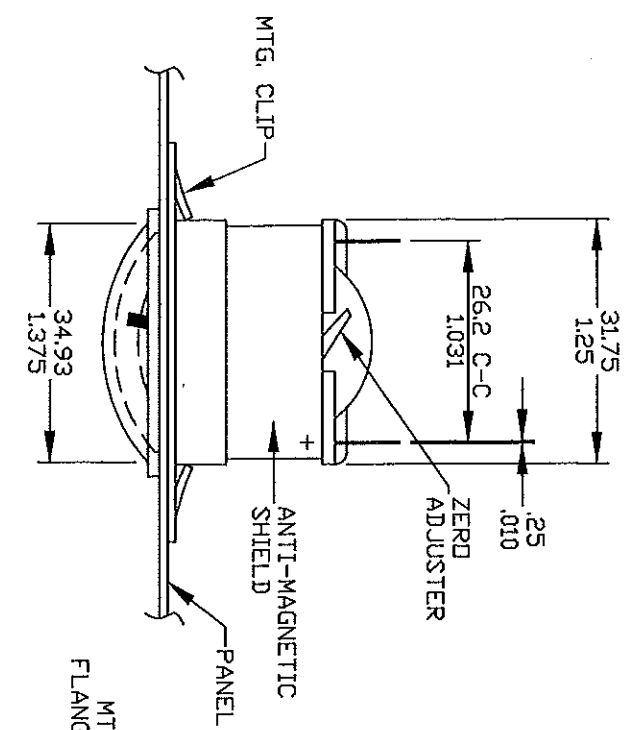
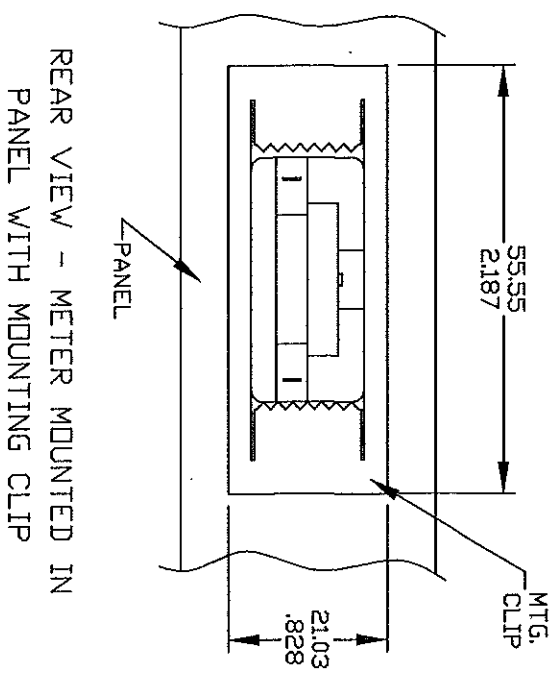


DWG. NO. **A**  
**SERIES 12**

REVISIONS		DESCRIPTION	DATE	APPROVAL
<b>A</b>	RELEASED TO PRODUCTION STATUS		10-9-09	22245

mm  
in.



TOLERANCE UNLESS SPECIFIED	
DRAWN BY <b>WAP</b> 10-9-09	
CHECKED BY <b>WAP</b>	DESIGNED BY <b>WAP</b>
RAW MATERIAL - COMMERCIAL STANDARD	USED ON NEXT ASSY
DIMENSIONS ARE IN INCHES	
MATERIAL	
FINISH	

THE DRAWING CONFORMS TO THE REQUIREMENTS OF THE INSTRUMENTS, LLC. THIS DRAWING IS NOT TO BE COPIED OR USED WITHOUT PERMISSION.

SCALE FULL  
 EPA NO. 11229A

**Jewel**  
 INSTRUMENTS, LLC.  
 MANCHESTER NEW HAMPSHIRE

DWG. NO. **SERIES 12**  
 CMT. NO.