



ECV eCompass Series

Jewell ECV eCompass represents the state of the art in magnetic compassing that delivers high accuracy for its small size, low-cost and low power

The ECV eCompass Series provides stable azimuth, pitch, and roll measurements in dynamic conditions. The ECV's sensor suite consists of the following:

- 3-axis angular rate gyros
- 3-axis accelerometer
- 3-axis magnetometer
- 2-axis electrolytic tilt sensor

The advanced capabilities of the ECV are supported by updated eCompass PC software that simplifies engineering verification and integration tasks. The software provides the following functionality:

- Monitor and change compass settings
- Perform magnetic calibration
- Capture selected measurement data
- Maintain communication and setting logs



Advantages:

- ✓ Exceptional dynamic performance
- ✓ High accuracy
- ✓ Precise factory calibration
- ✓ Wide Operating range
- ✓ RS232 & RS485 output available
- ✓ Fast response
- ✓ Low power

Applications:

- Unmanned vehicles
- Robotics
- Platform stabilization
- Excavation machinery
- And more



ECV eCompass Series

Features:

Static Accuracy

- Azimuth within 0.5° typical (0.1° resolution)
- Pitch and roll within 0.2°

Dynamic Performance

- Gyro gimbal equations performed in firmware
- Azimuth within 3° typical for rates < 150 °/sec
- Pitch and roll within 1° typical for rates < 150 °/sec

Wide Operating Range

- Ambient temperature -40° to 105°C (-40° to 220°F)
- ±300°/sec angular rate
- Total magnetic field (earth + hard-iron) to ±1.5 Gauss
- ±80° dip angle range
- Total acceleration field to 1.5g (gravity = 1g)
- ±90° electrolytic tilt sensor pitch & roll range (±180° optional)

Fast Response

- Up to 27.5 calibrated measurements per second
- Wake from standby in 50 msec

Single Supply Operation

- 7 to 45V unregulated DC
- Thermal overload and reverse polarity protection

Low Power

- 40 mA operating
- 10 mA idle
- 5 mA standby

Wide Selection of ASCII or Binary Output data

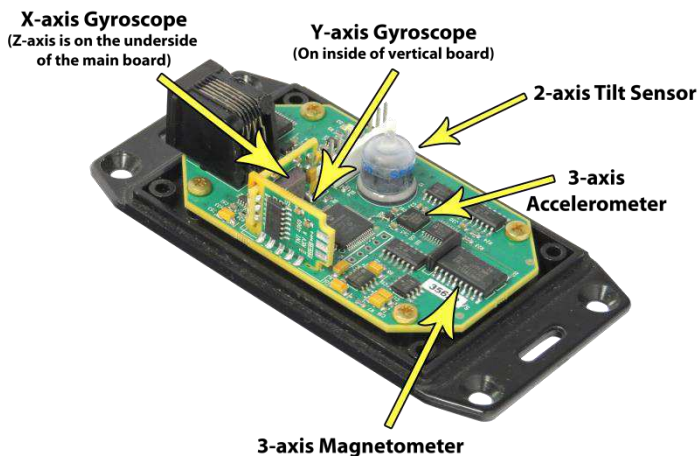
- Heading, pitch, and roll
- Temperature, input voltage, and dip angle
- Magnetometer X, Y, and Z
- Total, horizontal, and vertical magnetic field strength
- Raw and conditioned gyro data

Two independent serial channels

- Full-duplex RS-232 for the external RJ12
- Either RS-232 or full-duplex RS-485 for the internal connector

In-System Configuration and Test

- Laptop can be connected while unit operates in situ
- Perform hard and soft iron calibration
- Monitor outputs and change user-definable settings





ECV eCompass Series

Specifications*:

Heading Performance

Parameter	Value	Conditions
Accuracy ¹	$\pm 0.5^\circ$ rms	Static, Tilt < 35° Dip < 60°
	$\pm 3.0^\circ$ rms	Dynamic, rate < 150°/sec
Repeatability	$\pm 0.3^\circ$	Static, no filter
Response time	36 msec	Minimum, no filter
Dip Angle Range	$\pm 80^\circ$	
Tilt Range	$\pm 90^\circ$ Pitch/ $\pm 180^\circ$ Roll	
Update rate	27.5 measurements per second	

¹ May require calibration after installation to eliminate effect of local magnetic field

Pitch and Roll Performance

Parameter	Value	Conditions
Accuracy	$\pm 0.3^\circ$	Factory calibrated
Repeatability	$\pm 0.2^\circ$	No filter
Range	$\pm 90^\circ$ Pitch/ $\pm 180^\circ$ Roll	($\pm 42^\circ$) electrolytic tilt only
Settling time	50 msec	Gyro enabled

Electrical

Parameter	Value	Conditions
Supply Voltage (V _{DD})	7 - 45Vdc unregulated	
Supply Current	40 mA operating	typical
	10 mA idle	
	05 mA standby	

Environmental

Parameter	Value	Conditions
Operating Temp	-40° to 105°C	-20°C with electrolytic tilt
Storage Temperature	-50° to 150°C	
Humidity	0 to 90%	Non-condensing
Shock	200g	Max horizontal (with electrolytic tilt)

*Specifications subject to change without notice on account of continued product development



ECV eCompass Series

Specifications (cont'd) *

Mechanical

Parameter	Value
Enclosure material	Plastic Enclosure (P Option): (ABS) Flame Retardant UL94 VO
	Aluminum Enclosure (A Option): Diecast Aluminum Alloy (Type 360.1)
PCB Size	1.8"W x 3.0"L x 0.6"H
PCB Mounting	4 #4 screws, 1.4" x 2.6" spacing
Connectors	8 pin, single-row, 0.1" friction header
	6 pin RJ12 modular jack
Weight	Plastic Enclosure (P Option): 3.2 oz. (90.7 grams)
	Aluminum Enclosure (A Option): 7.2 oz. (204.1 grams)

Interface

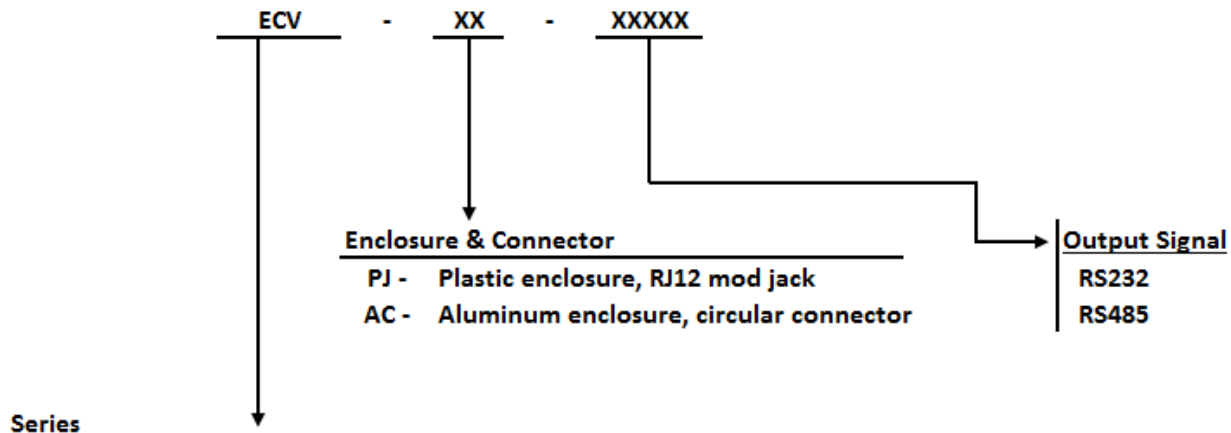
Parameter	Value
Signal type	RS-232 and RS-485
Baud rate	2400, 4800, 9600, 19200, or 38400 bps
Character Format	8 data, no parity, 1 stop
Input Buffer Size	110 characters
Output Buffer Size	110 characters
Output Format	NMEA 0183 and binary
Output Data Rate	1 to 1650 sentences per minute
Operating Modes	Continuous or sample
Angle Units	Degrees, mils, radians, 16-bit integer

*Specifications subject to change without notice on account of continued product development



ECV eCompass Series

How to Order:



ECV - Electronic Compass with 3-axis magnetometer, 3-axis gyroscope, 2-axis tilt sensor & 3-axis accelerometer

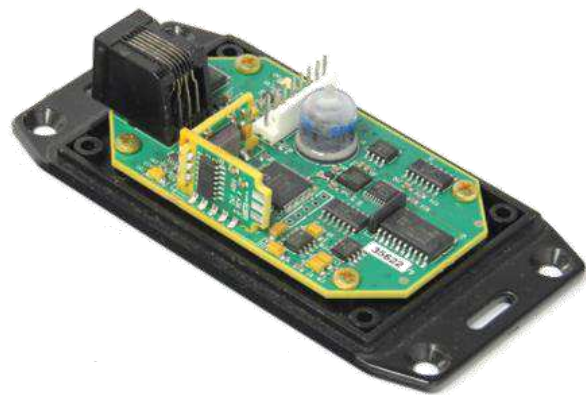
Example:

ECV-PJ-RS232

ECV Electronic Compass with 3-axis magnetometer, 3-axis gyroscope, 2-axis tilt sensor & 3-axis accelerometer plastic enclosure, RJ12 mod jack & RS232 output signal

Model & Part numbers:

Model Number	Part Number
ECV-P/J-RS232	02550403-ECV-001
ECV-P/J-RS485	02550403-ECV-004
ECV-A/C-RS232	02550403-ECV-002
ECV-A/C-RS485	02550403-ECV-003



ECV eCompass Series

Cable options:

Option 1: RS485 to DB9 & Power Cable



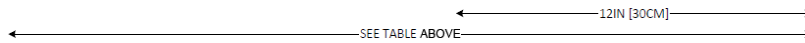
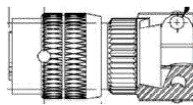
How to order:

PART NUMBER	CABLE LENGTH
95059-01	78.5 IN (~2m)

Note: Longer cable length available upon request

6-pin AMP Male Pinout

- A: Pwr (DC)
- B: GND
- C: RX+
- D: RX-
- E: TX+
- F: TX-



Pin view

CABLE SHIELD CONNECTED TO NICKEL PLATED DB9 HOUSING

1 Twisted Pair PWR/GND

DB9 Female Pinout

- 1: RX-
- 2: RX+
- 3: TX+
- 4: TX-
- 5: GND
- 6,7,8,9: no connect

DC PWR & GND



Option 2: RS232 to USB Cable



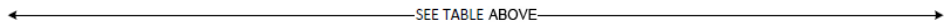
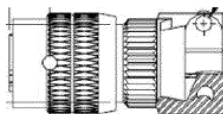
How to order:

PART NUMBER	CABLE LENGTH
95065-01	1.8m
95065-05	5m

Note: 5m is the max cable length for this option

6-PIN AMP MALE PINOUT

- A: PWR (DC)
- B: GND
- C: RXD
- D: NC
- E: NC
- F: TXD

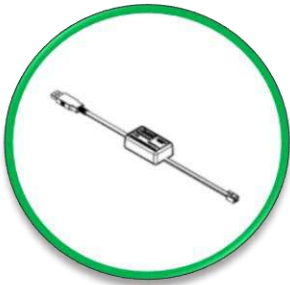


95065-XX



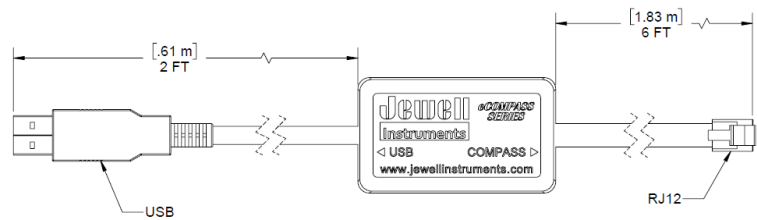
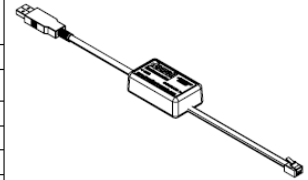
ECV eCompass Series

Other accessories:

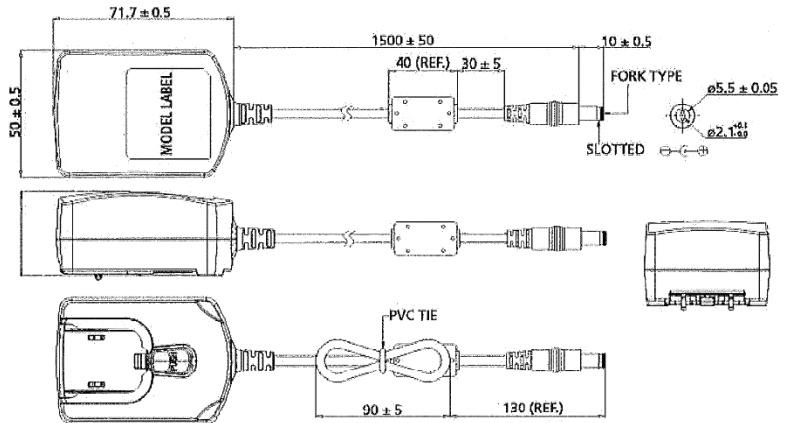


USB to RJ12 Cable
Part Number 879882

RJ12 CONNECTOR	
PIN	FUNCTION
1	GND (JUMP TO PIN 6)
2	PWR
3	TX
4	RX
5	GND
6	100K (JUMP TO PIN 1)



110-240Vac to 12Vdc Transformer
Part Number 00254-02



USB to RS232/RS485 Converter
Part Number F849284

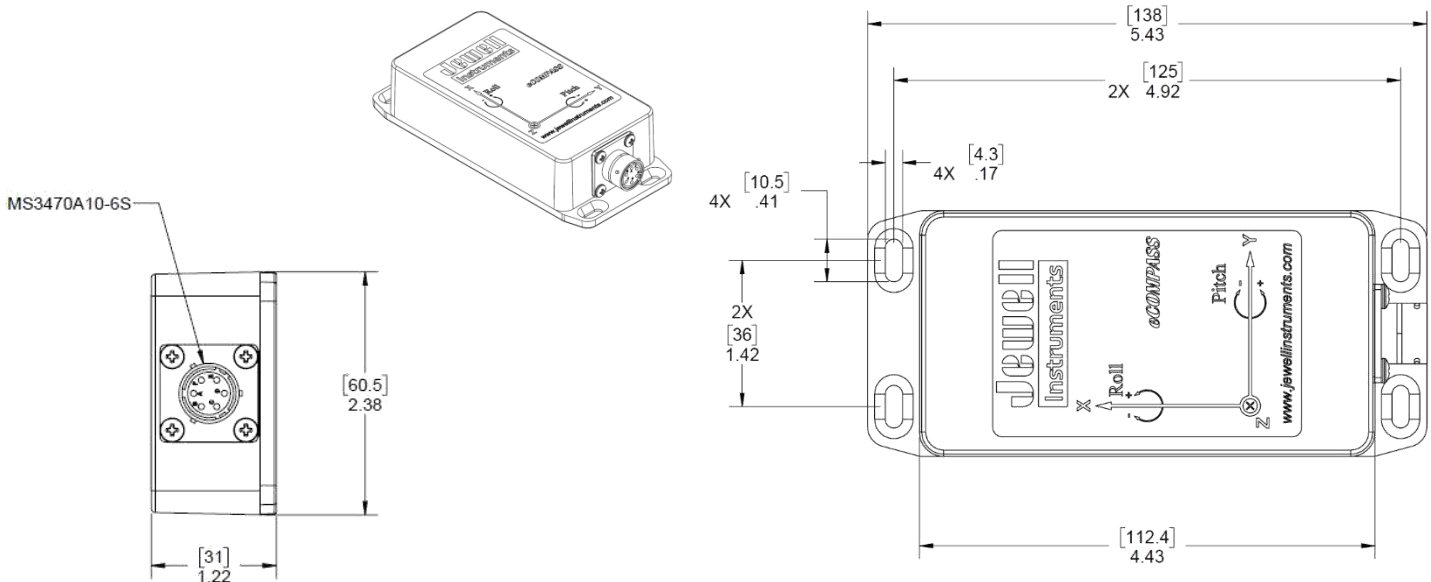


Dimensions: 5 x 4 x 2.5 in

ECV eCompass Series

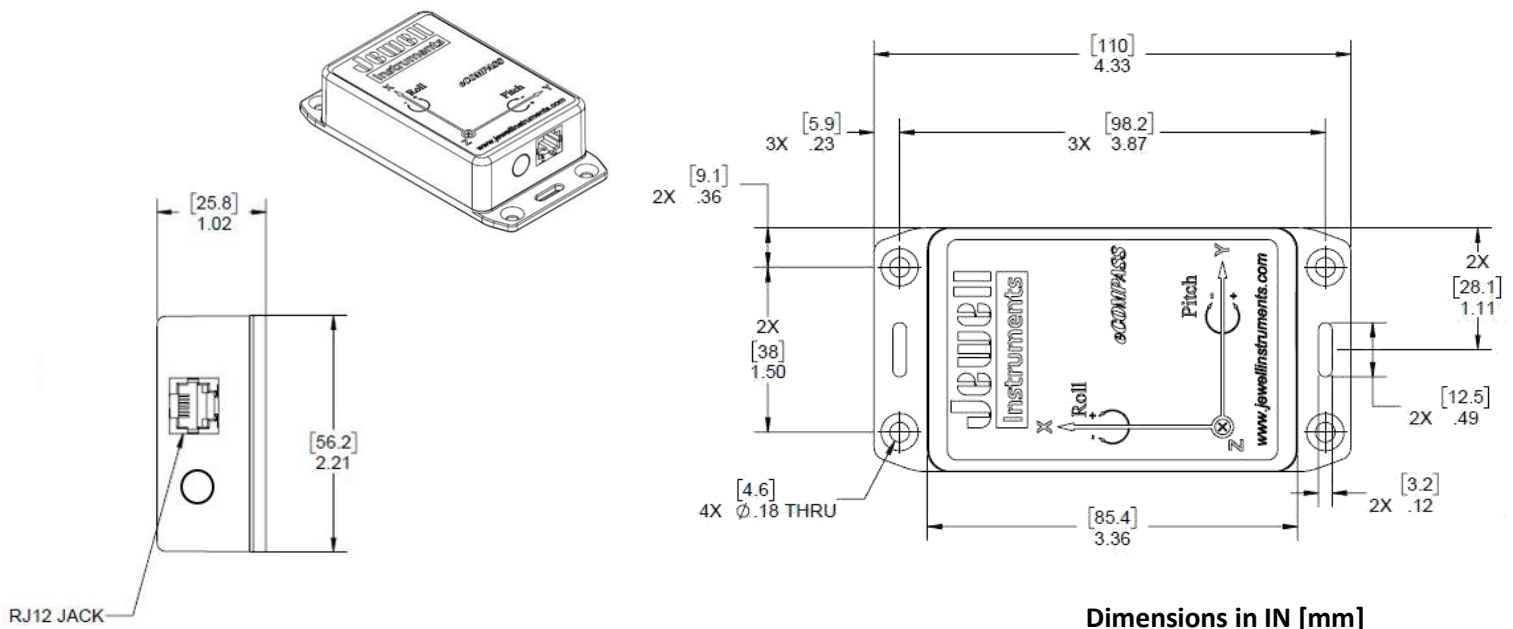


Outline Drawings (Aluminum enclosure):



Dimensions in IN [mm]

Outline Drawings (Plastic enclosure):



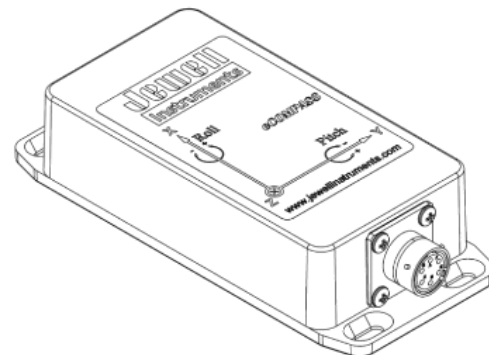
Dimensions in IN [mm]

ECV eCompass Series



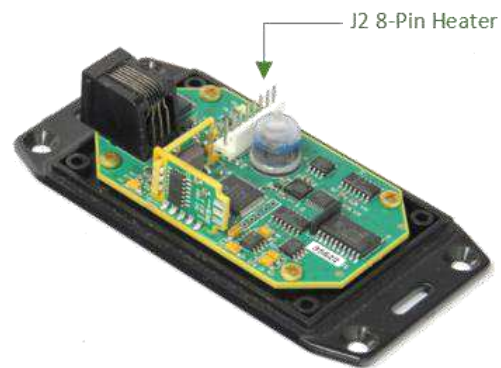
Pin Out (Aluminum enclosure):

Circular Connector	RS232	RS485
Pin A	Power (7-45 Vdc)	
Pin B	Ground	
Pin C	RX	RX+
Pin D	-	RX-
Pin E	-	TX+
Pin F	TX	TX-

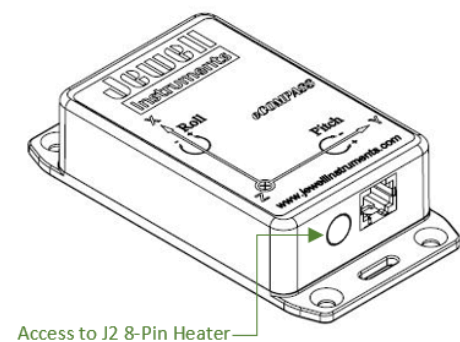


Pin Out (Plastic enclosure):

RJ12 Mod Jack	Function
Pin 1	GND (Jump to Pin 6)
Pin 2	Power
Pin 3	TX
Pin 4	RX
Pin 5	GND
Pin 6	100K (Jump to Pin 1)



J2 8-PIN Heater (RS485)		Wire
Pin 1	Power	Red
Pin 2	RS232 TX Out	Violet
Pin 3	RS232 RX In	Brown
Pin 4	RS485 RX+	Blue
Pin 5	RS485 RX-	Yellow
Pin 6	Ground	Black
Pin 7	RS485 TX+	Orange
Pin 8	RS485 TX-	Green





ECV eCompass Series

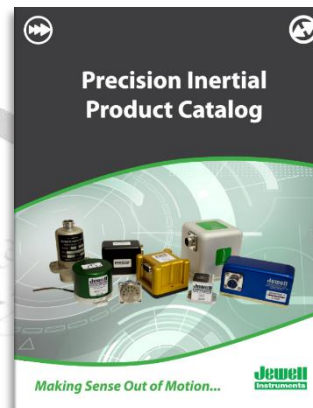
Other Resources:

ECV Tech Manual



Contact Jewell to obtain a copy of this manual

Inertial Catalog



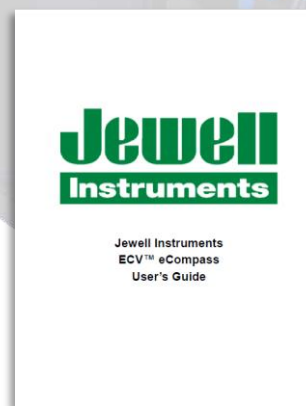
[Click here to view](#)

Selector guide



[Click here to view](#)

ECV User Manual



Contact Jewell to obtain a copy of this manual