



Compact edgewise meter only 1/2" thick. Self shielding allows user to stack without magnetic interaction. Light well provided for back lighting. Available size 2".

### Features:

- Compact, 1/2" thick
- Self-shielding - can be stacked "tight" without magnetic interaction.
- Polycarbonate case and cover withstand hard knocks and extreme temperatures.
- Light well provided for backlighting.
- Easily mounted with spring clips furnished.

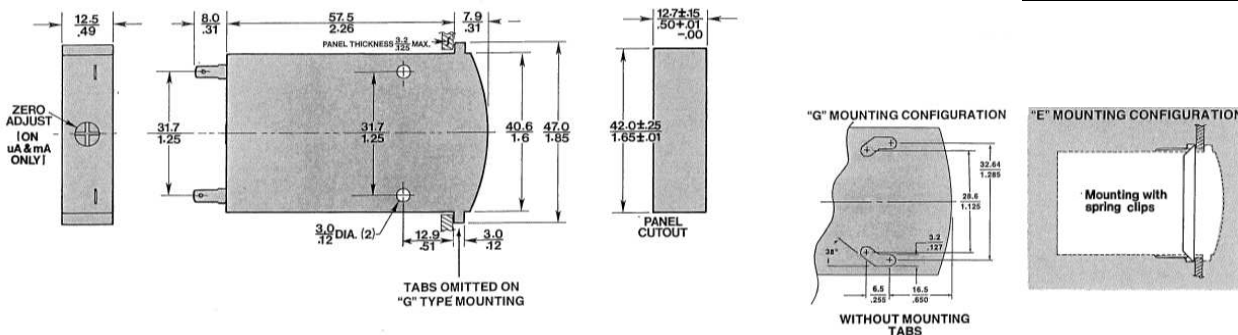
### Specifications

Accuracy <sup>1</sup>	±2% DC and AC
Repeatability <sup>1</sup>	±2% DC and AC
Response Time	2 seconds max.
Damping	25% max. overshoot
Resistance Tolerance	±15%
Shielding	Self-shielded; no special calibration needed for steel or non-ferrous panel mounting.
Zero Adjust	On back of case.
Operating Temp. Range	-40° to +70°C (2% accuracy derating)
Mounting <sup>2</sup>	Spring clip furnished.
Scale Length	1.57"

<sup>1</sup> Percent of full scale. On zero center meters, specification applies to full scale, not end scale values. Ex., 50-0-50  $\mu$ A is 100  $\mu$ A full scale.

<sup>2</sup> Unit can be supplied without mounting tabs and with #2-56 threaded inserts and screws for chassis mounting using oval mounting slots.

### Outline Drawing - E Series



Please refer to the E Series Catalog for ordering information.

**Contact Jewell Panel Meter Sales Toll Free 800-638-3771 or [meters@jewellinstruments.com](mailto:meters@jewellinstruments.com).**