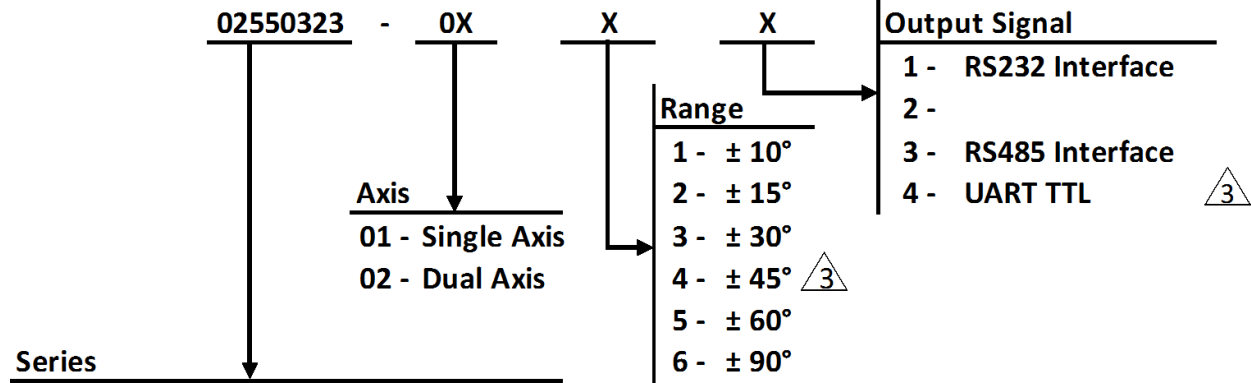


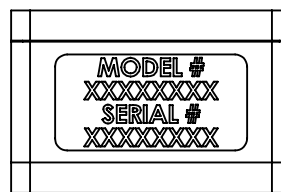
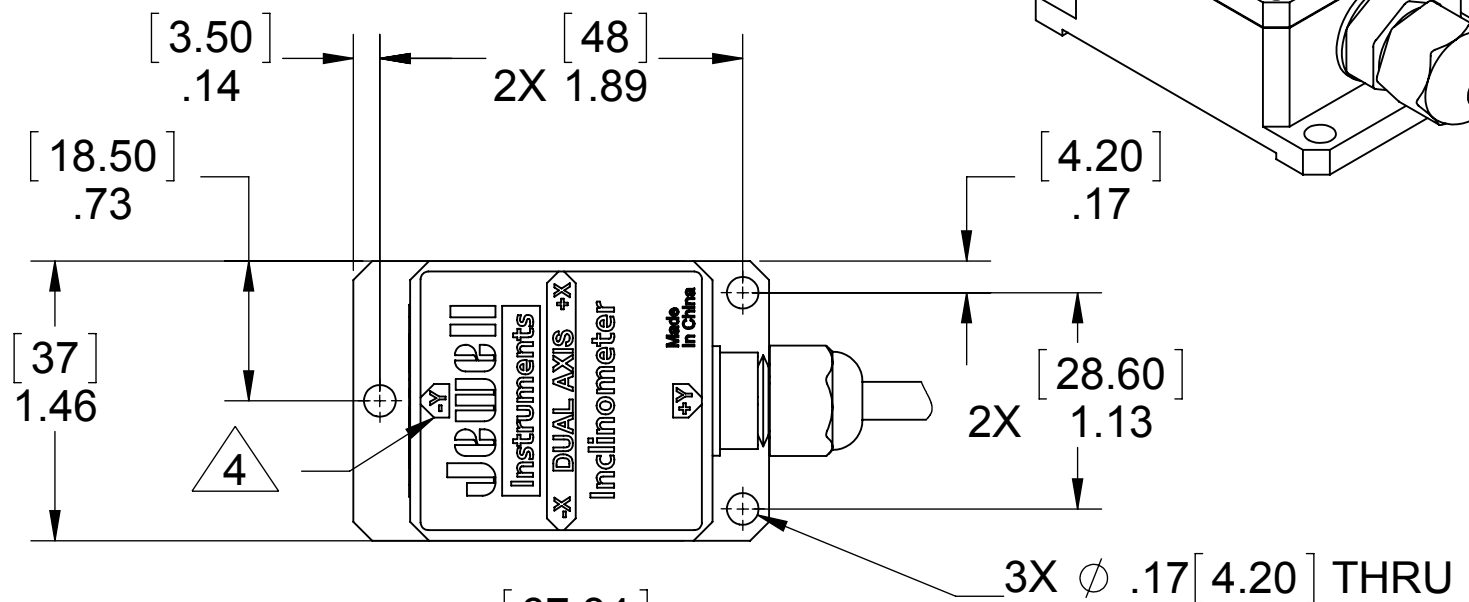
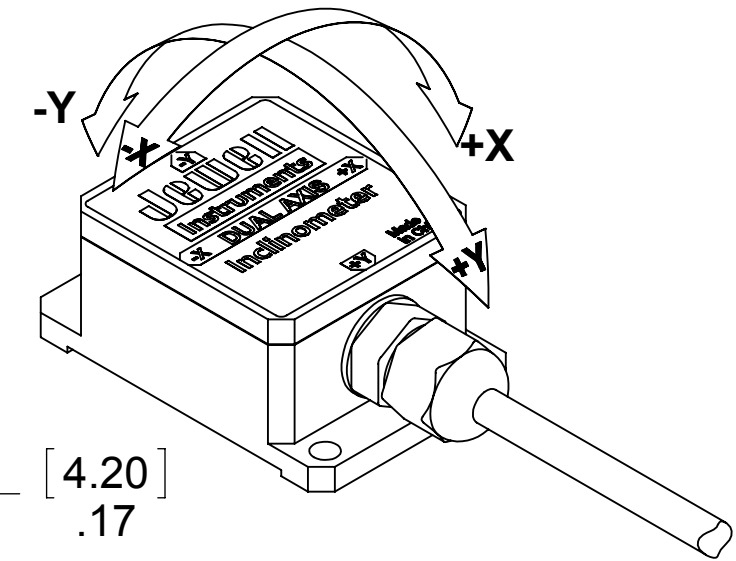
Digital Output:



DML - Digital MEMS Inclinometer
(Resolution: 0.05° & Zero Temp Drift: ±0.01°)

NOTES:

- UNITS: [mm]
Inch
- JEWELL PART NO.:
1. AXIS: 02550323-X[X]XX
2. RANGE: 02550323-XX[X]X
3. OUTPUT SIGNAL: 02550323-XXX[X]
- CUSTOM OUTPUTS & RANGES ARE AVAILABLE. CONTACT JEWELL SALES FOR DETAILS.
- SINGLE AXIS ROTATION: X-AXIS. SINGLE AXIS UNITS WILL NOT HAVE Y-ARROWS ON LABEL.
- CONFIGURED FOR 9-36VDC INPUT POWER UNLESS SPECIFIED.
- INCLUDED CABLE LENGTH: 1 METER.



BACK SIDE

WIRE COLOR	FUNCTION	
	RS232	RS485/UART TTL
RED	+VDC 9V~36V	+VDC 9V~36V
YELLOW	RDX	D+
GREEN	TDX	D-
BLACK	GROUND	GROUND

APPLICATION		DIMENSIONS ARE IN INCHES AND APPLY TO PART BEFORE FINISHING
USED ON	NEXT ASSY	
		TOLERANCE UNLESS SPECIFIED TWO PLACE DECIMALS (.00) ± .01 THREE PLACE DECIMALS (.000) ± .005 ANGLES ± 1° RAW MATL - COMMERCIAL STANDARD
MATERIAL		
FINISH		



MANCHESTER, NH
TRIPLETT MODUTEC A&M EMICO

PROPRIETARY NOTICE
THIS DRAWING IS THE PROPERTY OF JEWELL INSTRUMENTS, LLC. NEITHER THIS DOCUMENT NOR THE DATA CONTAINED HEREIN SHALL BE DISCLOSED, REPRODUCED IN WHOLE OR IN PART WITHOUT THE WRITTEN AUTHORIZATION OF JEWELL INSTRUMENTS, LLC. NO RIGHT IS GRANTED TO DISCLOSE OR SO USE ANY INFORMATION CONTAINED HEREIN. ALL RIGHTS RESERVED.

TITLE		
DML - DIGITAL SERIES MEMS INCLINOMETER		
DRAWING NO. OD02550323-XXXX		
SCALE 1:1	CAGE CODE 33005	SHEET 1 OF 1