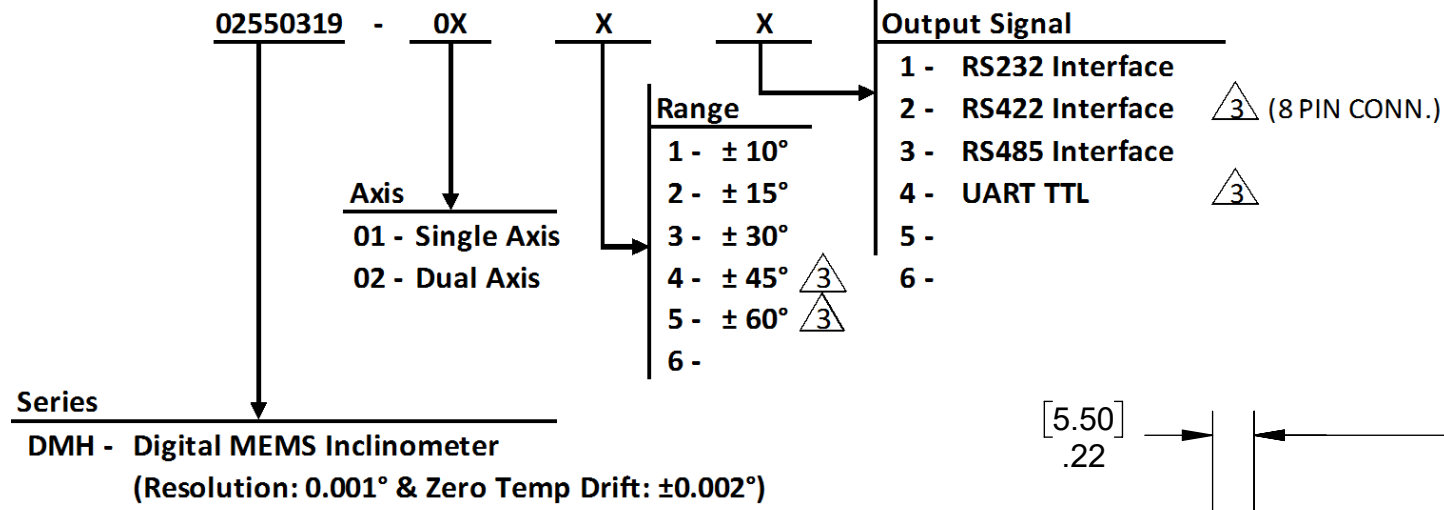
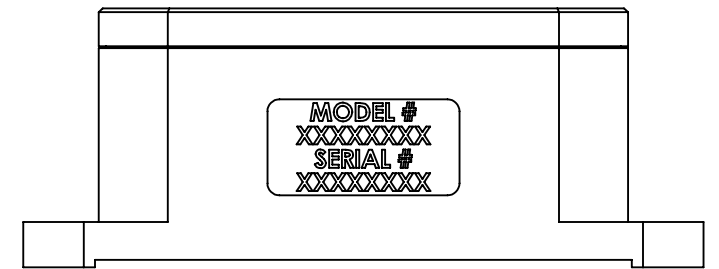
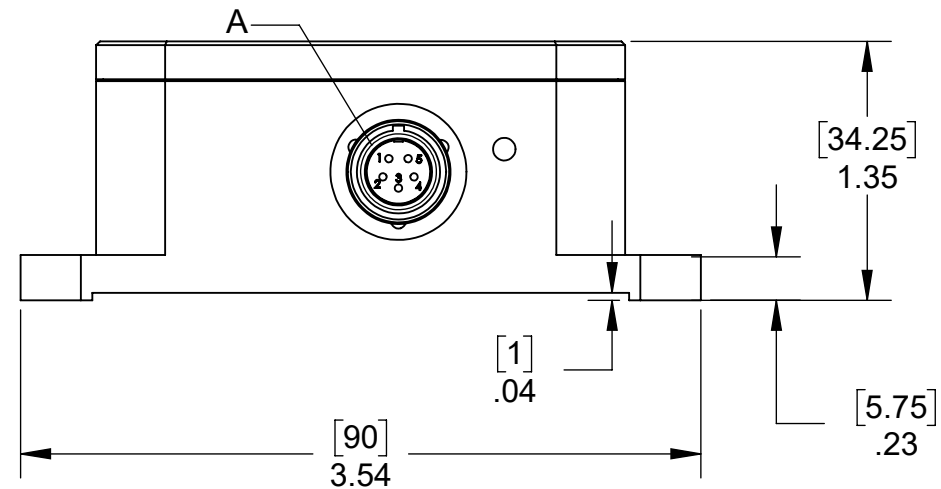
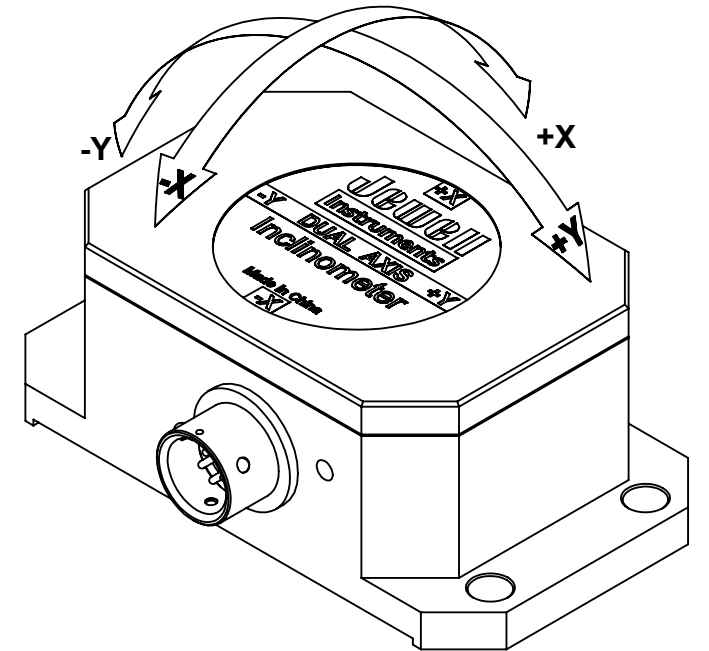
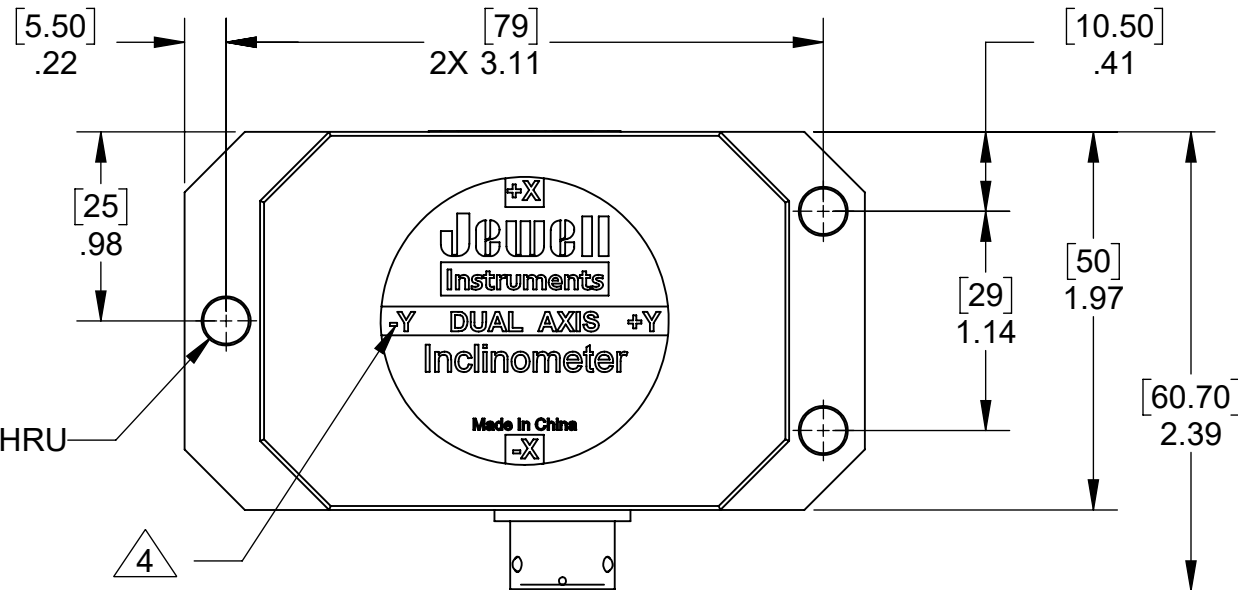
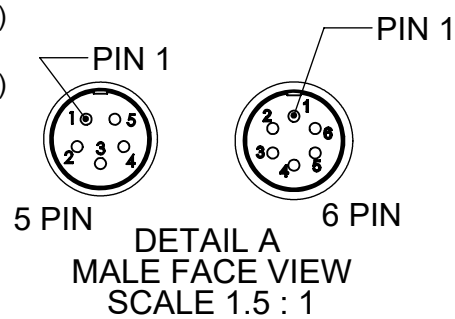


Digital Output:



NOTES:

- UNITS: [mm]
Inch
- JEWELL PART NO.:
1. AXIS: 02550319-X[X]XX
2. RANGE: 02550319-XX[X]X
3. OUTPUT SIGNAL: 02550319-XXX[X]
- CUSTOM OUTPUTS & RANGES ARE AVAILABLE. CONTACT JEWELL SALES FOR DETAILS.
- SINGLE AXIS ROTATION: X-AXIS. SINGLE AXIS UNITS WILL NOT HAVE Y-ARROWS ON LABEL.
- CONFIGURED FOR 9-36VDC INPUT POWER UNLESS SPECIFIED.
- CONNECTOR INFORMATION:
VENDOR: WEiPU CONNECTOR
PART NO: SF1212 / P5
SF1212 / P6 (RS422 ONLY)
MATES WITH: SF1210 / S5
SF1210 / P6 (RS422 ONLY)
- INCLUDED CABLE LENGTH: 1 METER.
- CONNECTOR ORIENTATION MAY VARY.



BACK SIDE

WEiPU	5 PIN			6 PIN
PIN	RS232 /UART TTL	RS485	CAN OPEN/2.0A	RS422
1	+VDC 9V~36V	+VDC 9V~36V	+VDC 9V~36V	+VDC 9V~36V
2	Rx	D+	CAN-L	GROUND
3	Tx	D-	CAN-H	RX-
4	GROUND	GROUND	GND	RX+
5	FACTORY USE	FACTORY USE	N/C	TX+
6	---	---	---	TX-

APPLICATION		DIMENSIONS ARE IN INCHES AND APPLY TO PART BEFORE FINISHING
USED ON	NEXT ASSY	TOLERANCE UNLESS SPECIFIED
		TWO PLACE DECIMALS (.00) ± .01
		THREE PLACE DECIMALS (.000) ± .005
		ANGLES ± 1°
		RAW MATL - COMMERCIAL STANDARD
MATERIAL		
FINISH		



MANCHESTER, NH
TRIPLETT MODUTEC A&M EMICO

PROPRIETARY NOTICE
THIS DRAWING IS THE PROPERTY OF JEWELL INSTRUMENTS, LLC. NEITHER THIS DOCUMENT NOR THE DATA CONTAINED HEREIN SHALL BE DISCLOSED, REPRODUCED IN WHOLE OR IN PART WITHOUT THE WRITTEN AUTHORIZATION OF JEWELL INSTRUMENTS, LLC. NO RIGHT IS GRANTED TO DISCLOSE OR SO USE ANY INFORMATION CONTAINED HEREIN. ALL RIGHTS RESERVED.

TITLE		
DMH - DIGITAL SERIES MEMS INCLINOMETER		
DRAWING NO.		
OD02550319-XXXX		
SCALE	CAGE CODE	SHEET 1 OF 1
1:1	33005	