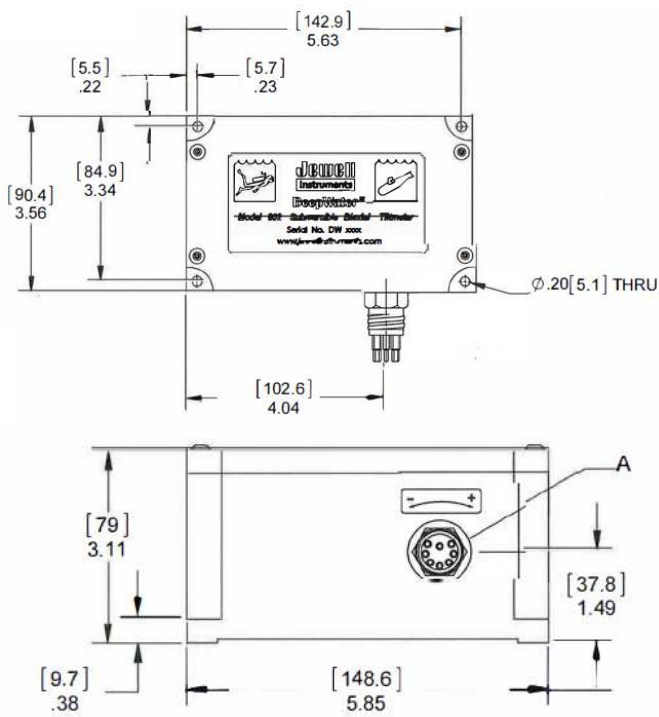


Model D802

DeepWater Digital Tiltmeter

The model D802 Deepwater is a high-precision submersible tiltmeter for use in marine, offshore, and deep ocean applications. Using an absolute gravity referenced electrolytic sensor, the D802 delivers superior measurement accuracy with nearly no long-term drift. Highgain units are sensitive to <0.0017 mm/m or better. Output is RS232 or RS422. All units are rated to +2500m waterproof for advanced protection from the elements. Use the D802 "Deepwater" for structural monitoring, angle measurement and control, platform leveling, and more.

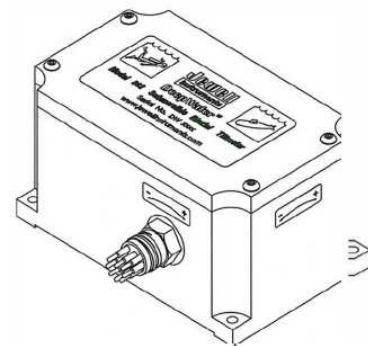


Dimensions: in [mm]



APPLICATIONS:

- Structural Monitoring
- Platform Leveling
- Industrial Measurement & Control



PERFORMANCE SPECIFICATIONS

PERFORMANCE

ANGULAR RANGE (°) ¹	±0.5°	±3°	±50°
RESOLUTION	<0.0001°	0.002°	0.02°
NONREPEATABILITY (° max)	0.0003°	0.002°	0.02°
NONLINEARITY (%FRO) ² max	0.1		
TIME CONSTANT	0.15 sec		
Kz TEMP COEFFICIENT (°/C)	±0.001 °/°C (typical)		±0.01 °/°C (typical)
OUTPUT	RS232, RS422		
OUTPUT FORMAT	NMEA XDR, Trimble TCM, Ashtec compatible, Simple (default: X, Y, Temp., S/N)		
BAUD RATE	9600 (default), 19200, 28800, 57600, 115200, 230400		
CHANNELS	X-tilt, Y-tilt, Temperature		

ELECTRICAL & ENVIRONMENTAL

NUMBER OF AXES	1 or 2
POWER	7 to 25 VDC @ 27 mA, 250 mV peak-to-peak ripple maximum, reverse polarity protected
OPERATING TEMPERATURE RANGE	-4° to +60°C
STORAGE TEMPERATURE RANGE	-30° to +100°C
WEIGHT	5 kg (11 lb)
MATERIALS	316 stainless steel
SEAL	IP68
CABLE	3m (10 ft.), 6 conductors + one overall shield, PVC jacket. DB9 connector for digital I/O.

PIN OUT:

RS232 Wiring

WIRE COLOR	FUNCTION
BLACK	GND
WHITE	-
RED	PWR
GREEN	RX
YELLOW	-
BLUE	TX

RS422 Wiring

WIRE COLOR	FUNCTION
BLACK	GND
RED	TX-
YELLOW	PWR
BLUE	TX+
GREEN	RX-
WHITE	RX+

NOTES:

1. Custom ranges available on request
2. Nonlinearity is specified as variation around the best straight line from null to full-range output.

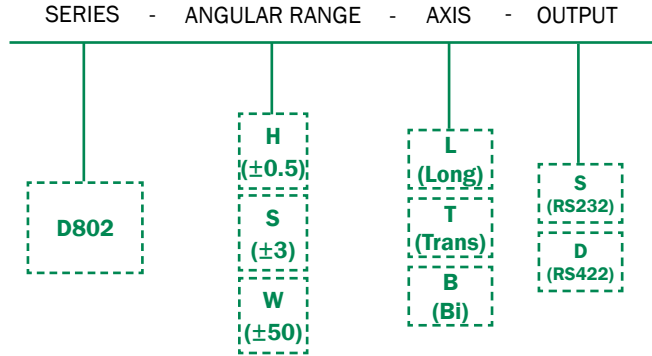
Specifications are subject to change without notice due to continued product development



ORDERING INFORMATION

HOW TO ORDER

Model Numbers are comprised of the series, angular range, axis configuration, output signal and RoHS compliance



Accessories:

PART #	DESCRIPTION
70369	6-conductor cable (specify total length on order)
00254-02	Extra power transformer (100-240VAC to 12VDC)
81439	Mounting bracket for vertical surfaces
84051	Mounting plate for horizontal surfaces

	MODEL #	PART #
±0.5	D802-HLS	98033-01-ROHS
	D802-HLD	98033-02-ROHS
	D802-HT-S	98033-03-ROHS
	D802-HT-D	98033-04-ROHS
	D802-HB-S	98033-05-ROHS
	D802-HB-D	98033-06-ROHS
±3	D802-SLS	98033-07-ROHS
	D802-SLD	98033-08-ROHS
	D802-ST-S	98033-09-ROHS
	D802-ST-D	98033-10-ROHS
	D802-SB-S	98033-11-ROHS
	D802-SB-D	98033-12-ROHS
±50	D802-WLS	98033-13-ROHS
	D802-WLD	98033-14-ROHS
	D802-WT-S	98033-15-ROHS
	D802-WT-D	98033-16-ROHS
	D802-WB-S	98033-17-ROHS
	D802-WB-D	98033-18-ROHS