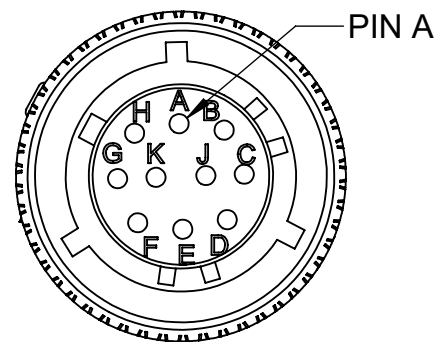
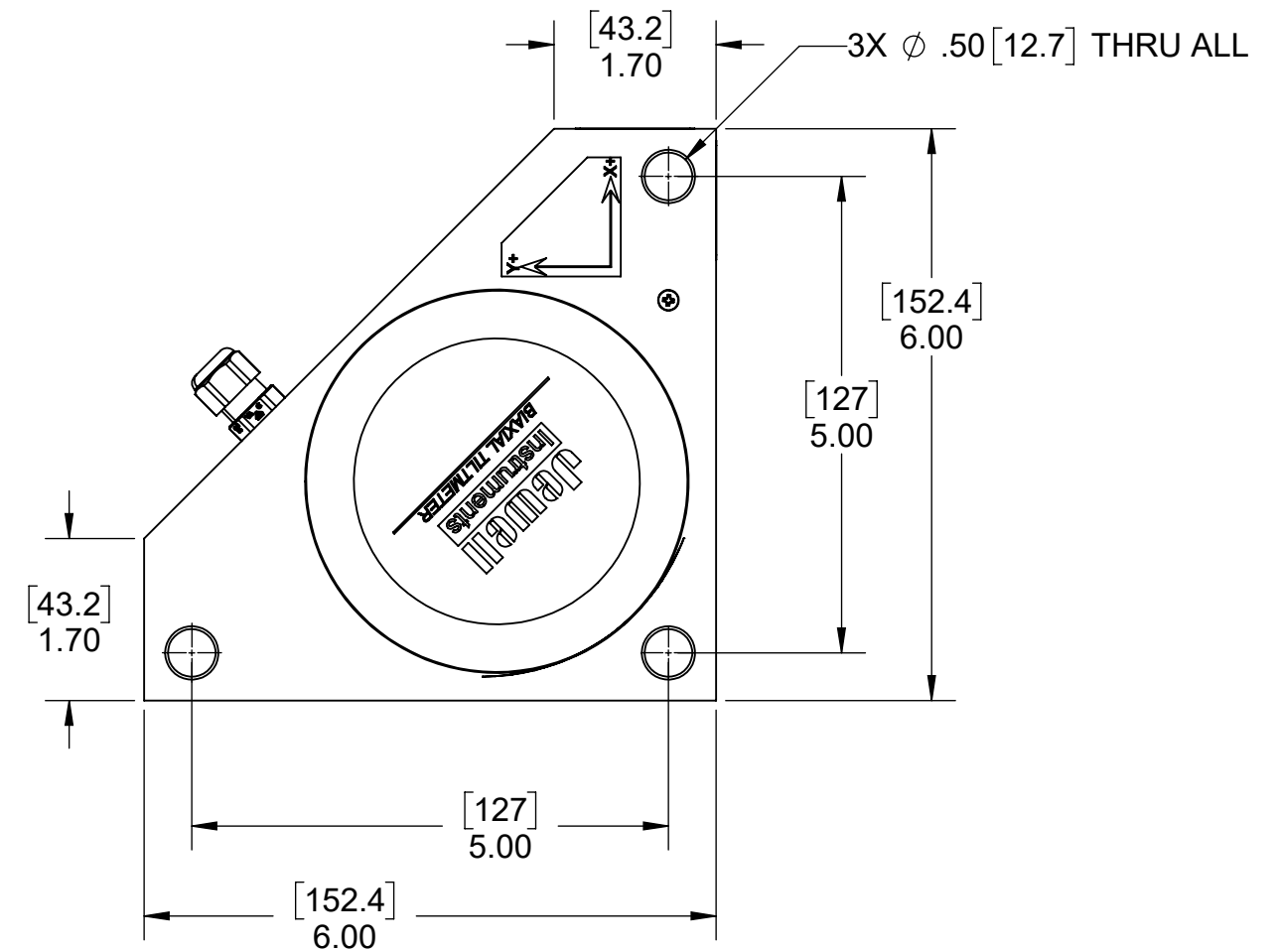
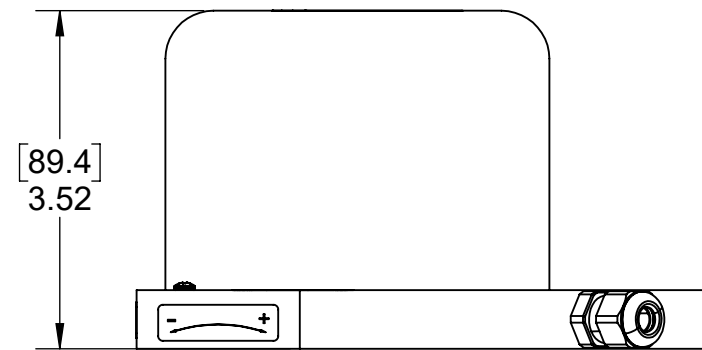
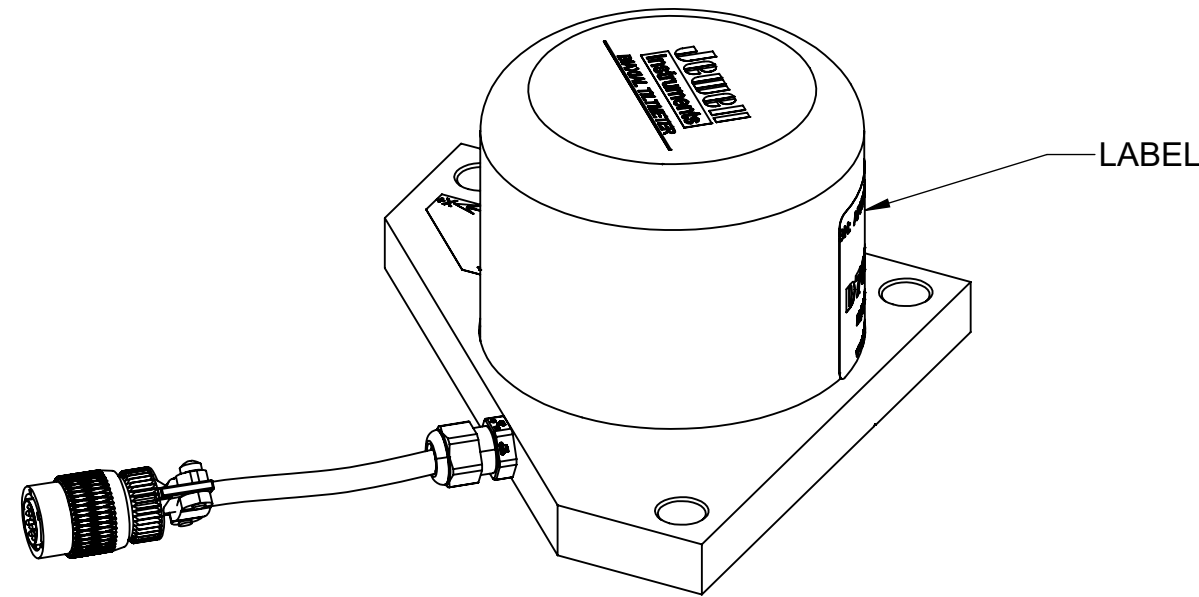


NOTES:
 1. MATING CONNECTOR: PT02A-12-10SW OR EQUIVALENT



FACE VIEW OF CONNECTOR
 SCALE 2:1



TILTMETER END			MATING CABLE	
CONNECTOR PIN	FUNCTION	COLOR	DB9 PIN (RS422)	DB9 PIN (RS232)
A	GROUND	BLACK	1	5
B	RX+ (RS485)	BROWN	8	-
C	RX- (RS485)	YELLOW	9	-
D	TX+ (RS485)	ORANGE	4	-
E	TX (RS232)	BLUE	-	2
F	CABLE SHIELD	DRAIN WIRE	-	-
G	RX (RS232)	GREEN	-	3
H	POWER	RED	-	-
J	TX- (RS485)	GRAY	5	-
K	N/C	N/C	N/C	N/C

MATERIAL	DIMENSIONS UNITS ARE: [mm] INCH	 Jewell Instruments MANCHESTER, NH TRIPLETT MODUTEC A&M EMICO	TITLE D711 DIGITAL OUTLINE DRAWING		
	FINISH		TOLERANCE UNLESS SPECIFIED TWO PLACE DECIMALS .00 ± .01 THREE PLACE DECIMALS .000 ± .005 ANGLES ± 1°	DRAWING NO. OD98005-00	REV. B
			SCALE 1:2	CAGE CODE 33005	SHEET 1 OF 1
<small>PROPRIETARY NOTICE THIS DRAWING IS THE PROPERTY OF JEWELL INSTRUMENTS, LLC. NEITHER THIS DOCUMENT NOR THE DATA CONTAINED HEREIN SHALL BE DISCLOSED, REPRODUCED IN WHOLE OR IN PART WITHOUT THE WRITTEN AUTHORIZATION OF JEWELL INSTRUMENTS, LLC. NO RIGHT IS GRANTED TO DISCLOSE OR SO USE ANY INFORMATION CONTAINED HEREIN. ALL RIGHTS RESERVED.</small>					