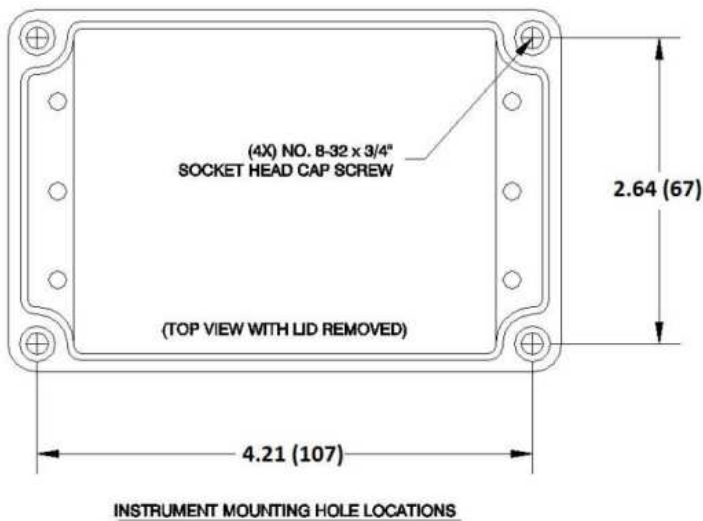
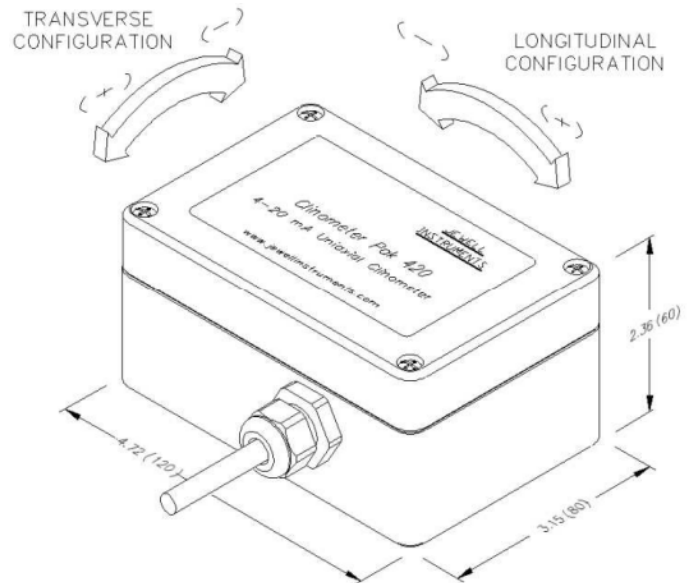


Model C904 Clinometer Pak 420

The model C904 "Clinometer Pak 420" uniaxial clinometer delivers the same reliable performance as the A904, but with 4-20mA output. Units are available with longitudinal or transverse axis configuration. The C904 operates as a 2-wire 4-20mA current loop, and will drive signal over 1000m or more. Units also include an on-board thermistor for temperature measurement. Use the C904 with industrial PLC's, platform position and control, geotechnical monitoring, or any application where long cables are required.



Dimensions: in [mm]



PERFORMANCE SPECIFICATIONS

PERFORMANCE

VERSION	High-Gain	Standard	Wide-Angle
ANGULAR RANGE (°) ¹	±10°	±25°	±50°
RESOLUTION ¹	0.005°	0.01°	0.02°
SCALE FACTOR ²	1.25°/mA	3.125°/mA	6.25°/mA
NONLINEARITY (%FRO) ³ max	1%	2.5%	7%
NONREPEATABILITY	0.01°	0.02°	0.04°
TIME CONSTANT	0.15 sec		
NATURAL FREQUENCY	10 Hz		
K _z TEMP COEFFICIENT (°/C)	20 arcsec/C (typical)		
K _s TEMP COEFFICIENT (%/°C)	0.03%/C (typical)		
TEMP OUTPUT	Temp is measured with a 2500 Ohm thermistor, -50° to 150°C range		
OUTPUT	4-20mA, 2-wire Current Loop		
CHANNELS	Tilt, Temperature		

ELECTRICAL & ENVIRONMENTAL

NUMBER OF AXES	1
OUTPUT IMPEDANCE (Ohms, nominal)	270, short circuit protected
INPUT CURRENT, mA:	25
POWER	(0.02 Ampere x R** + 10 VDC) < Vs < 29 VDC
OPERATING TEMPERATURE RANGE	-40° to +85°C
STORAGE TEMPERATURE RANGE	-40° to +85°C
WEIGHT	0.5 kg (1.1 lb.)
DIMENSIONS	120 x 80 x 60 mm
MATERIALS	Die-cast aluminum, painted. (Remove lid to access four mounting holes.)
SEAL	IP65
CABLE	3m (10ft), 5-conductor + one overall shield, PVC jacket, tinned ends

PIN OUT:

CONNECTOR	FUNCTION
RED	V+
BLACK	GND
BLUE	TEMP EXCITATION
YELLOW	TEMP OUT
WHITE	TEMP RETURN

NOTES:

- Resolution calculated at 5 μamps;
- Linear scale factor calculated from BFSL through calibration curve;
- Nonlinearity is specified as variation around the best straight line from null to full-range output.

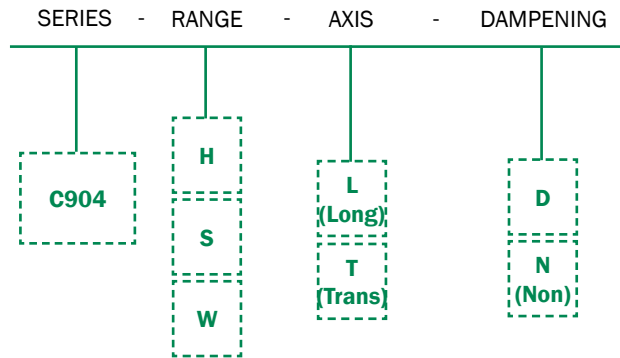
** where R is the resistance of the shunt resistor and loop wiring in Ohms.

Specifications are subject to change without notice due to continued product development



ORDERING INFORMATION

HOW TO ORDER Model Numbers are comprised of the series, range, axis configuration and dampening



MODEL #	PART #
C904-HL-D	98016-10
C904-HL-N	98016-04
C904-HT-D	98016-07
C904-HT-N	98016-01
C904-SL-D	98016-11
C904-SL-N	98016-05
C904-ST-D	98016-08
C904-ST-N	98016-02
C904-WL-D	98016-12
C904-WL-N	98016-06
C904-WT-D	98016-09
C904-WT-N	98016-03

Accessories:

PART #	DESCRIPTION
70369	6-conductor cable (specify required length on order)
62204	6-pin male receptacle (installed on tiltmeter cable)
62202	6-socket in-line plug (mates to P/N 62204 connector)
81439	Mounting bracket for vertical surfaces
84051	Mounting plate for horizontal surfaces