
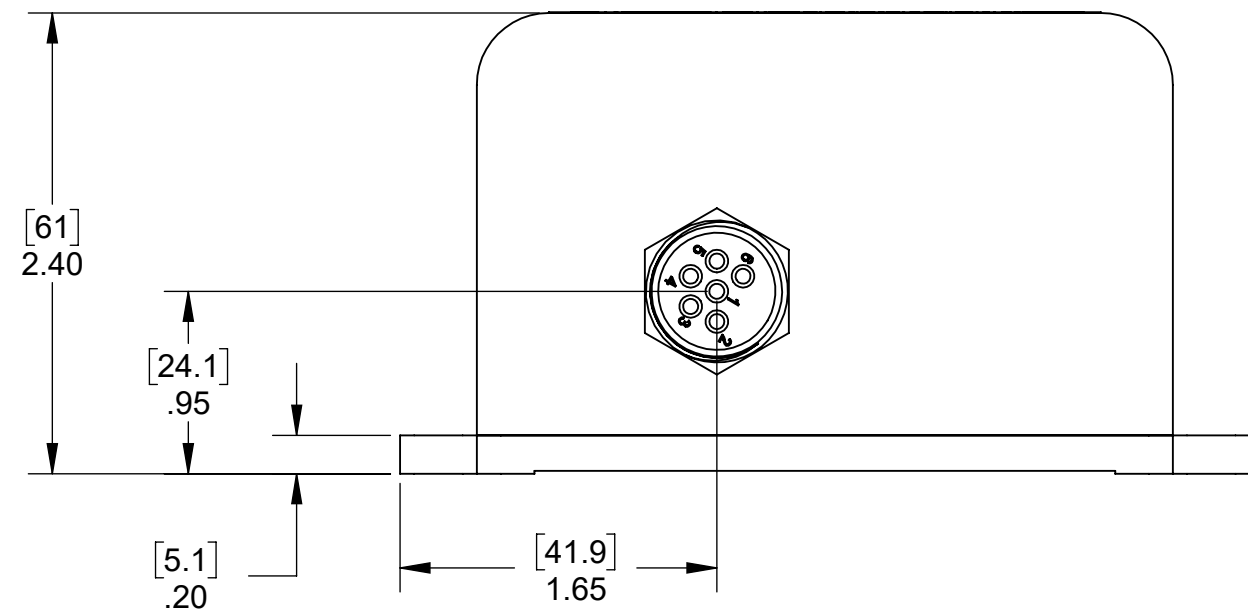
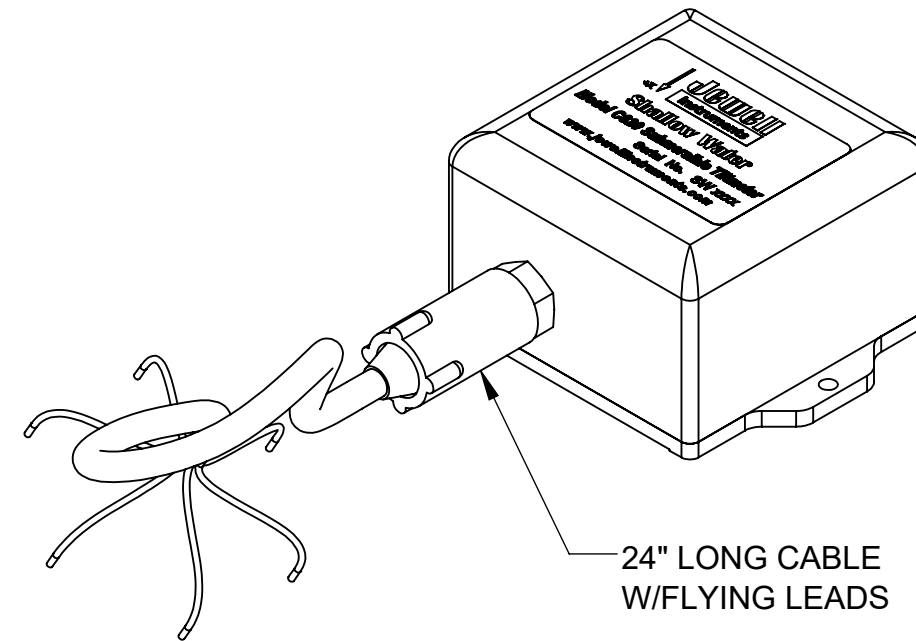
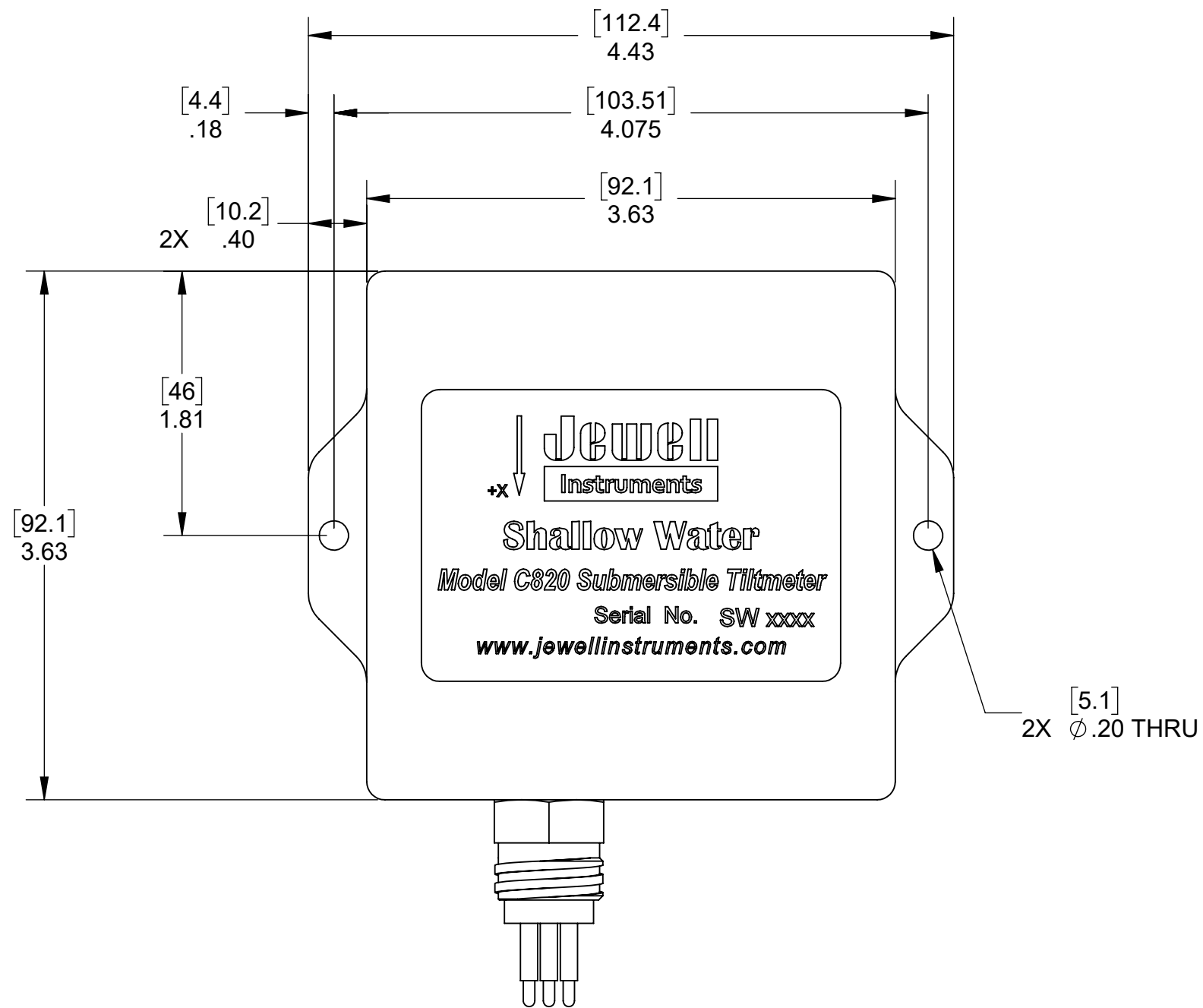


### CONNECTOR PINOUT

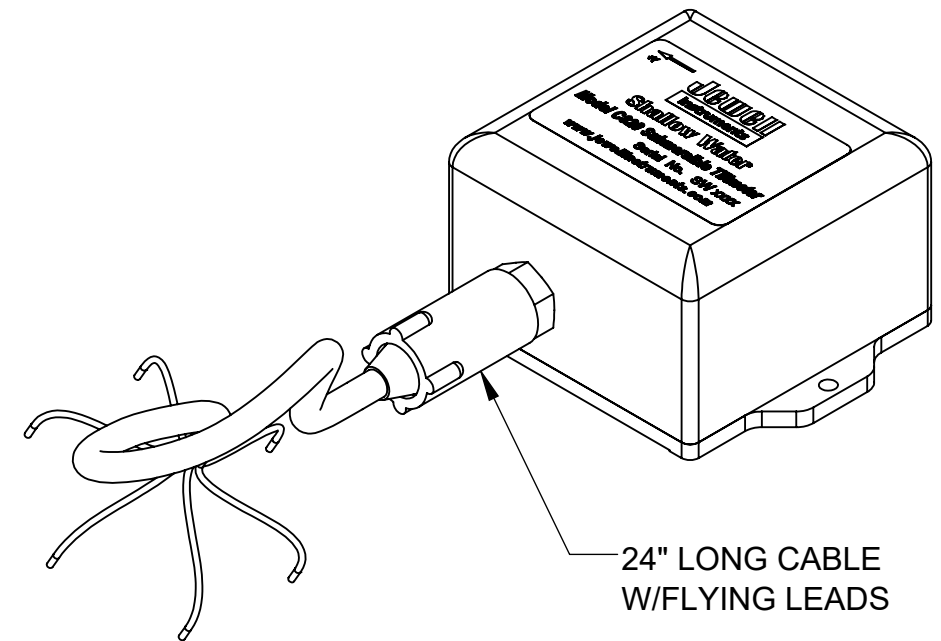
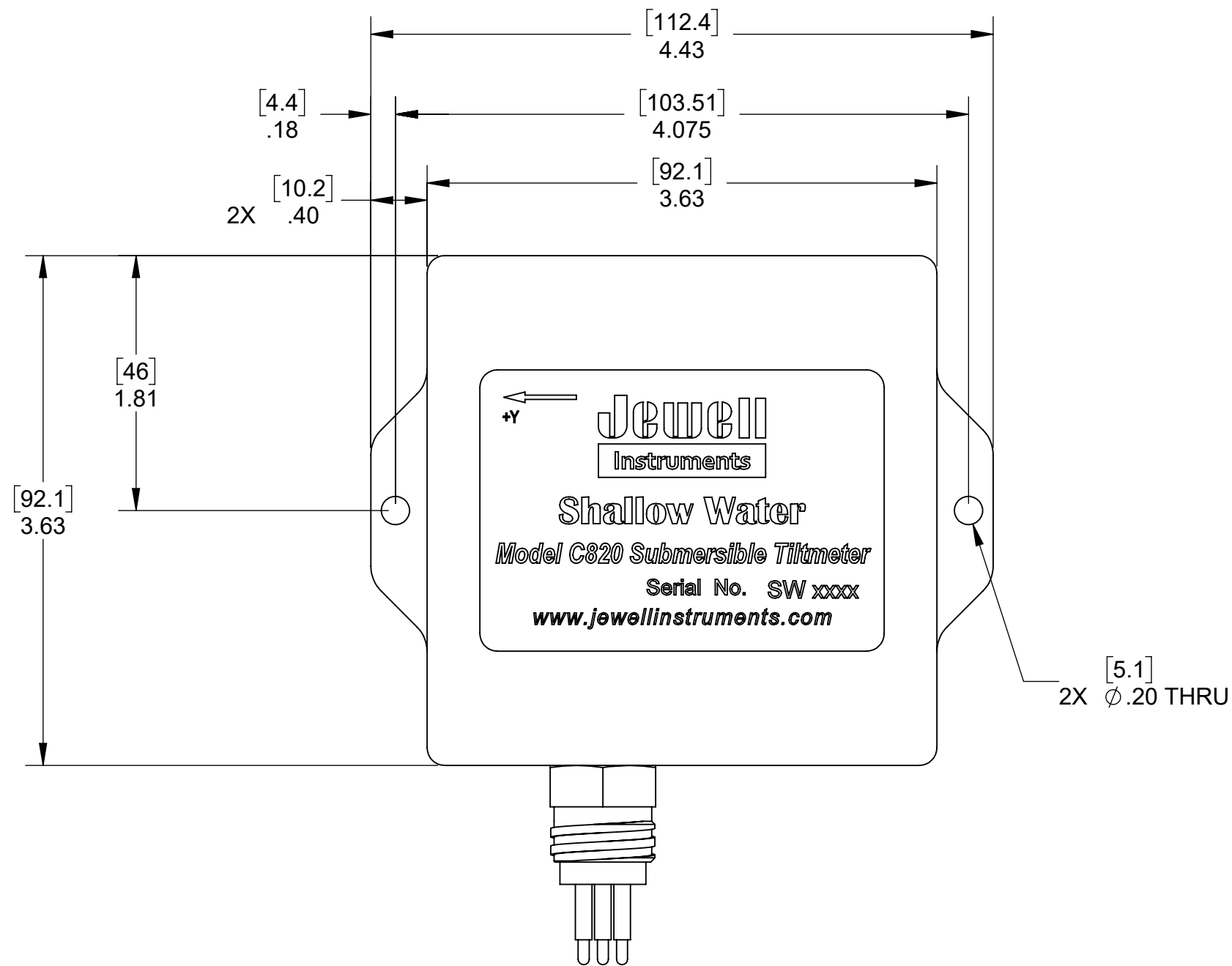
PIN	ASSIGNMENT	COLOR
1	X - RETURN	BLACK
2	Y - RETURN	WHITE
3	X - POWER	RED
4	Y - POWER	GREEN
5	TEMPERATURE RETURN	ORANGE
6	TEMPERATURE EXCITATION	BLUE

MATERIAL	DIMENSIONS UNITS ARE: [mm] INCH	 <b>Jewell Instruments</b> MANCHESTER, NH TRIPLETT MODUTEC A&M EMICO	TITLE BIAXIAL C820 OUTLINE DRAWING	
	TOLERANCE UNLESS SPECIFIED TWO PLACE DECIMALS .00 ± .01 THREE PLACE DECIMALS .000 ± .005 ANGLES ± 1°		DRAWING NO. OD98820	REV. A
FINISH		PROPRIETARY NOTICE THIS DRAWING IS THE PROPERTY OF JEWELL INSTRUMENTS, LLC. NEITHER THIS DOCUMENT NOR THE DATA CONTAINED HEREIN SHALL BE DISCLOSED, REPRODUCED IN WHOLE OR IN PART WITHOUT THE WRITTEN AUTHORIZATION OF JEWELL INSTRUMENTS, LLC. NO RIGHT IS GRANTED TO DISCLOSE OR SO USE ANY INFORMATION CONTAINED HEREIN. ALL RIGHTS RESERVED.	SCALE DO NOT SCALE	CAGE CODE 33005

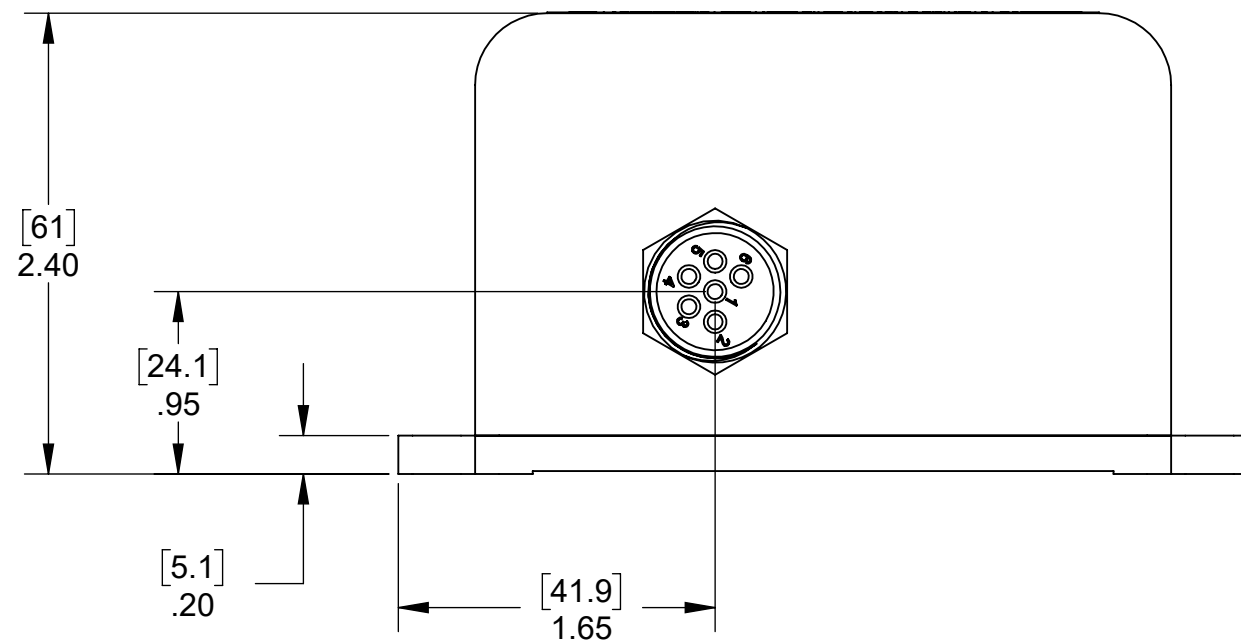


CONNECTOR PINOUT		
PIN	ASSIGNMENT	COLOR
1	X - RETURN	BLACK
2	NOT CONNECTED	WHITE
3	X - POWER	RED
4	NOT CONNECTED	GREEN
5	TEMPERATURE RETURN	ORANGE
6	TEMPERATURE EXCITATION	BLUE

MATERIAL	DIMENSIONS UNITS ARE: [mm] INCH	 <b>Jewell Instruments</b> MANCHESTER, NH TRIPLETT MODUTEC A&M EMICO	TITLE X (TRANSVERSE) C820 OUTLINE DRAWING	
FINISH	TOLERANCE UNLESS SPECIFIED TWO PLACE DECIMALS .00 ± .01 THREE PLACE DECIMALS .000 ± .005 ANGLES ± 1°		DRAWING NO. OD98820	REV. A
CHECKED BY DATE	DRAWN BY DATE TAD 6/23/2015	PROPRIETARY NOTICE THIS DRAWING IS THE PROPERTY OF JEWELL INSTRUMENTS, LLC. NEITHER THIS DOCUMENT NOR THE DATA CONTAINED HEREIN SHALL BE DISCLOSED, REPRODUCED IN WHOLE OR IN PART WITHOUT THE WRITTEN AUTHORIZATION OF JEWELL INSTRUMENTS, LLC. NO RIGHT IS GRANTED TO DISCLOSE OR SO USE ANY INFORMATION CONTAINED HEREIN. ALL RIGHTS RESERVED.		
APPROVED BY DATE		SCALE DO NOT SCALE	CAGE CODE 33005	SHEET 2 OF 3



CONNECTOR PINOUT		
PIN	ASSIGNMENT	COLOR
1	NOT CONNECTED	BLACK
2	Y - RETURN	WHITE
3	NOT CONNECTED	RED
4	Y - POWER	GREEN
5	TEMPERATURE RETURN	ORANGE
6	TEMPERATURE EXCITATION	BLUE



MATERIAL	DIMENSIONS UNITS ARE: [mm] INCH	<p>MANCHESTER, NH TRIPLETT MODUTEC A&amp;M EMICO</p>	TITLE Y (LONGITUDINAL) C820 OUTLINE DRAWING
FINISH	TOLERANCE UNLESS SPECIFIED TWO PLACE DECIMALS .00 ± .01 THREE PLACE DECIMALS .000 ± .005 ANGLES ± 1°		
CHECKED BY	DATE	DRAWN BY TAD DATE 6/23/2015	DRAWING NO. OD98820 REV. A
APPROVED BY	DATE		SCALE DO NOT SCALE CAGE CODE 33005 SHEET 3 OF 3

PROPRIETARY NOTICE  
THIS DRAWING IS THE PROPERTY OF JEWELL INSTRUMENTS, LLC. NEITHER THIS DOCUMENT NOR THE DATA CONTAINED HEREIN SHALL BE DISCLOSED, REPRODUCED IN WHOLE OR IN PART WITHOUT THE WRITTEN AUTHORIZATION OF JEWELL INSTRUMENTS, LLC. NO RIGHT IS GRANTED TO DISCLOSE OR SO USE ANY INFORMATION CONTAINED HEREIN. ALL RIGHTS RESERVED.