

INCLINOMETER SPECIFICATIONS: 6

CONSTRUCTION

HOUSING MATERIAL	6AL-4V TITANIUM
SURVIVAL DEPTH	250M SEAWATER
OPERATIONAL DEPTH	25M SEAWATER
CONNECTIONS	PIN 1 RED (+) & PIN 2 BLACK (-)

PERFORMANCE

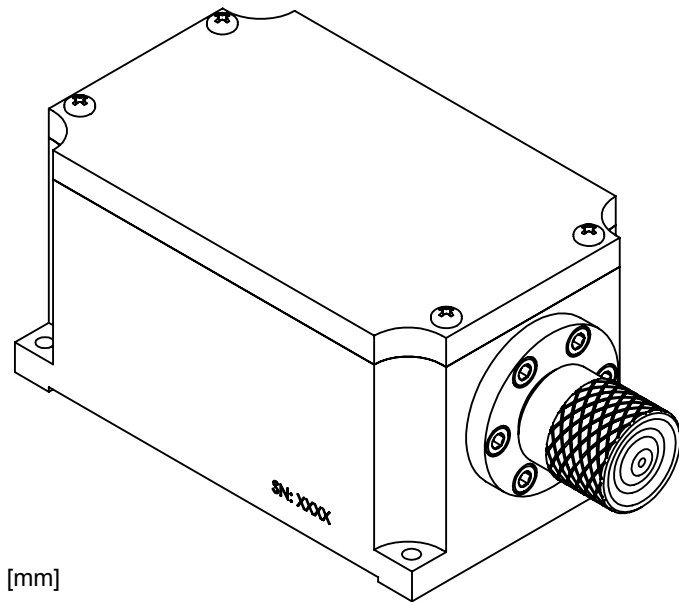
NON-LINEARITY	.5% OF FULL SPAN
ANGULAR RANGE	±50°
SUPPLY VOLTAGE	12-28 VDC
OUTPUT	4-20 mA
SCALE FACTOR	6.25% mA TYP
RESOLUTION	0.01°

ENVIRONMENTAL

OPERATING TEMP	-40°C TO +85°C
STORAGE TEMP	-40°C TO +85°C

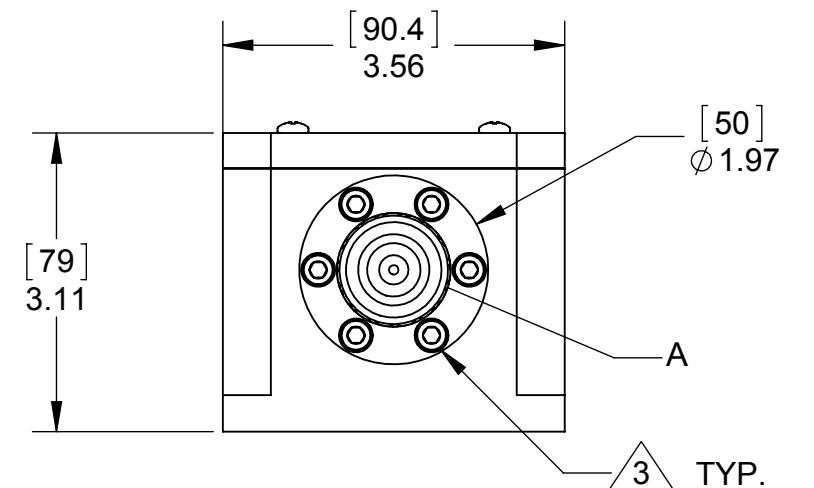
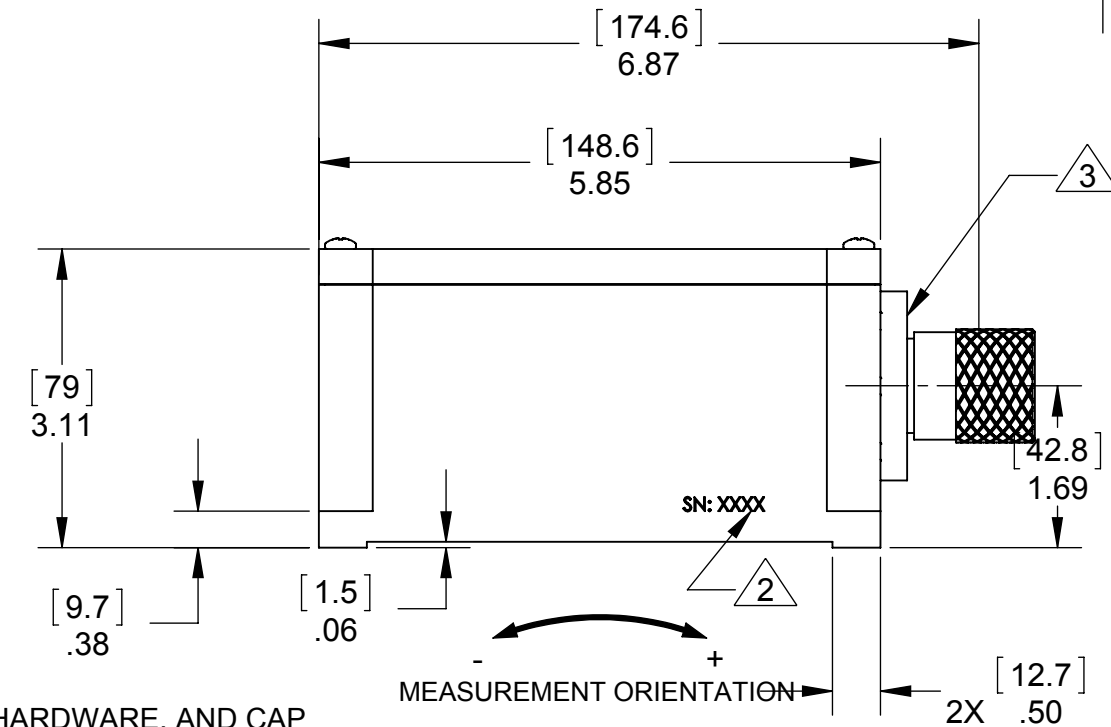
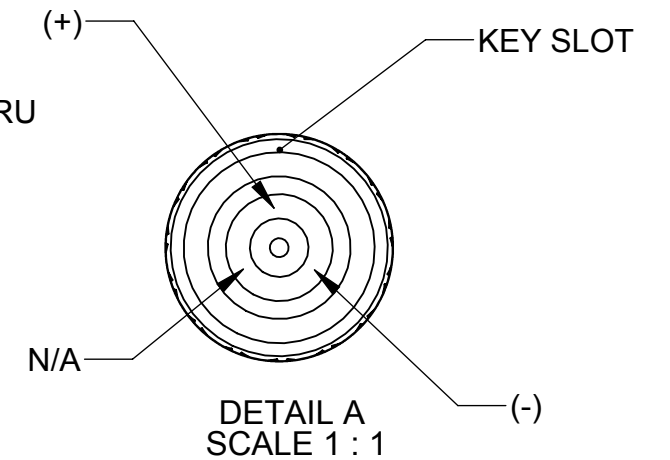
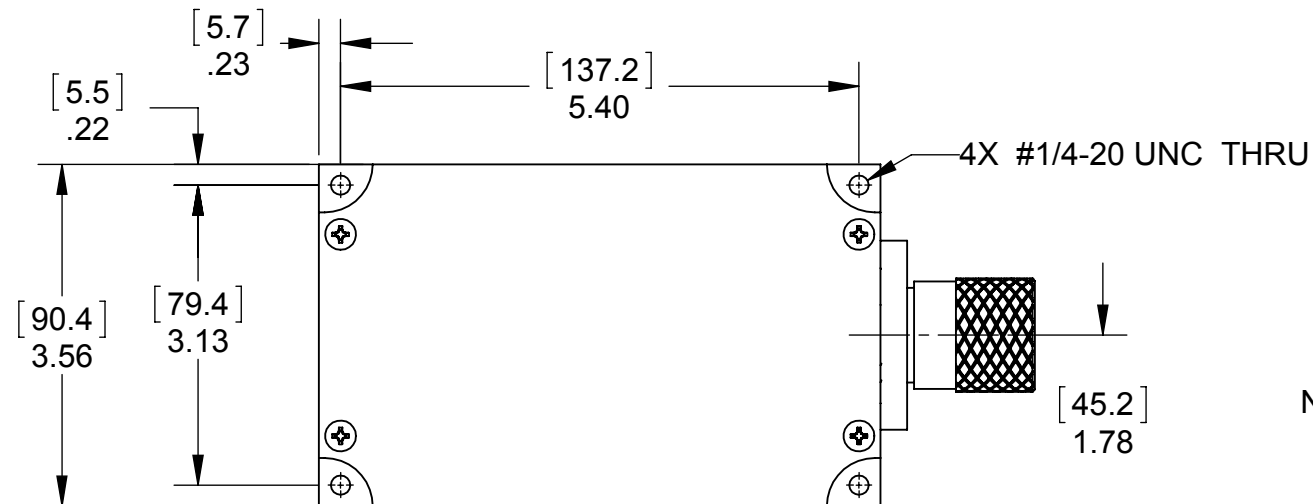
CALIBRATION

RANGE	±50°
-------	------



NOTES:

1. DIMENSIONS: $\frac{[mm]}{IN}$
- 2 PERMANENT IDENTIFICATION OF JEWELL SERIAL NUMBER.
- 3 RECEPTACLE INSTALLED BY JEWELL INSTRUMENTS. (RECEPTACLE, HARDWARE, AND CAP SUPPLIED BY BARDEX.) O-RINGS AND RECEPTACLE SCREWS WILL BE LUBRICATED WITH RESPECTIVE LUBRICANTS. INSULATOR BODY WILL BE FREE OF LUBRICANTS.
4. ASSEMBLY DOES NOT INCLUDE MATING CABLES.
5. 3 STAGE POTTING PROCESS TO PROTECT INTERNAL ELECTRONICS FROM WATER INGRESS.
- 6 REFERENCE BARDEX DRAWING DWG-106380, REV 3



APPLICATION		DIMENSIONS ARE IN INCHES AND APPLY TO PART BEFORE FINISHING
USED ON	NEXT ASSY	TOLERANCE UNLESS SPECIFIED
		TWO PLACE DECIMALS (.00) ± .01
		THREE PLACE DECIMALS (.000) ± .005
		ANGLES ± 1°
		RAW MATL - COMMERCIAL STANDARD
MATERIAL		
FINISH		



MANCHESTER, NH
TRIPLETT MODUTEC A&M EMICO

PROPRIETARY NOTICE
THIS DRAWING IS THE PROPERTY OF JEWELL INSTRUMENTS, LLC. NEITHER THIS DOCUMENT NOR THE DATA CONTAINED HEREIN SHALL BE DISCLOSED, REPRODUCED IN WHOLE OR IN PART WITHOUT THE WRITTEN AUTHORIZATION OF JEWELL INSTRUMENTS, LLC. NO RIGHT IS GRANTED TO DISCLOSE OR SO USE ANY INFORMATION CONTAINED HEREIN. ALL RIGHTS RESERVED.

TITLE		
C802		
DRAWING NO.		
OD90044-01		
SCALE	CAGE CODE	SHEET 1 OF 1
1:2	33005	