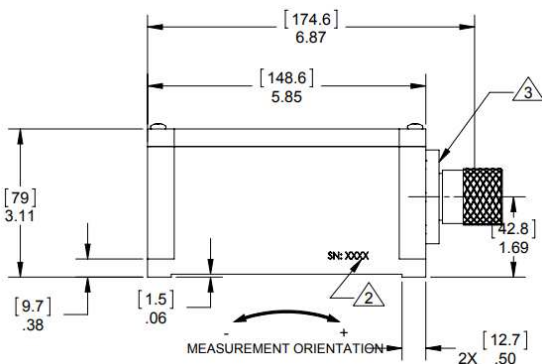
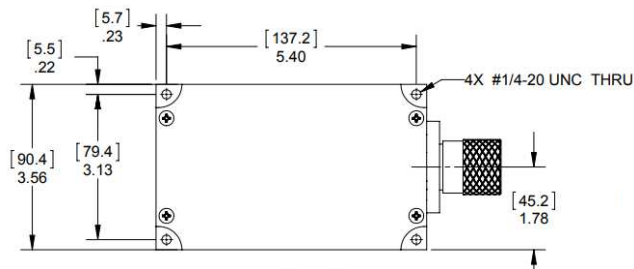


## Model C802

### DeepWater Analog Tiltmeter

The model C802 Deepwater is a high-precision submersible tiltmeter for use in marine, offshore, and deep ocean applications with 4-20mA output. Using an absolute gravity referenced electrolytic sensor, the C802 delivers superior measurement accuracy with virtually no long-term drift. High-gain units are sensitive to  $<0.0017$  mm/m or better. All units are rated to +2500m waterproof for advanced protection from the elements. Use the D802 "DeepWater" for structural monitoring, angle measurement and control, platform leveling, and more.

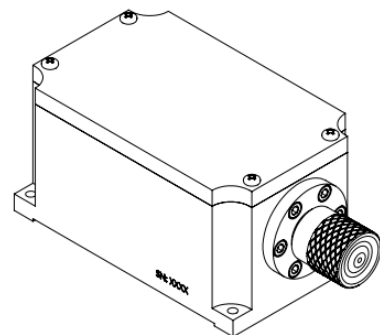


Dimensions: in [mm]



#### APPLICATIONS:

- Structural Monitoring
- Platform Leveling
- Industrial Measurement & Control



# PERFORMANCE SPECIFICATIONS

## PERFORMANCE

<b>ANGULAR RANGE (°)<sup>1</sup></b>	<b>±0.5°</b>	<b>±3°</b>	<b>±50°</b>
<b>RESOLUTION</b>	<b>&lt;0.0001°</b>	<b>0.0006°</b>	<b>0.01°</b>
<b>NONREPEATABILITY (° max)</b>	<b>&lt;0.0002°</b>	<b>0.001°</b>	<b>0.02°</b>
<b>NONLINEARITY (%FRO)<sup>2</sup> max</b>	<b>±1</b>	<b>±2</b>	<b>±0.5</b>
<b>SCALE FACTOR</b>	<b>0.0625°/mA</b>	<b>0.375°/mA</b>	<b>6.25°/mA</b>
<b>TIME CONSTANT</b>	<b>0.15 sec</b>		
<b>Kz TEMP COEFFICIENT (°/°C)</b>	<b>±0.0002 °/°C (typical)</b>		<b>±0.002 °/°C (typical)</b>
<b>Ks TEMP COEFFICIENT (%/°C)</b>	<b>&lt;0.04%/°C (typical)</b>		<b>&lt;0.1%/°C (typical)</b>
<b>OUTPUT CHANNELS</b>	<b>4-20mA Two-wire current loop (per axis)</b>		
<b>CHANNELS</b>	<b>Tilt, Temperature</b>		

## ELECTRICAL & ENVIRONMENTAL

<b>NUMBER OF AXES</b>	<b>1 or 2</b>
<b>OUTPUT IMPEDANCE (Ohms, nominal)</b>	<b>270</b>
<b>TEMPERATURE OUTPUT</b>	<b>0.1°C/mV typical (single ended; 0°C = 0mV)</b>
<b>POWER</b>	<b>(0.02 Ampere x R + 10 VDC) &lt; Vs &lt; 29 VDC</b>
<b>OPERATING TEMPERATURE RANGE</b>	<b>-4° to +60°C</b>
<b>STORAGE TEMPERATURE RANGE</b>	<b>-40° to +85°C</b>
<b>WEIGHT</b>	<b>5 kg (11 lb.)</b>
<b>MATERIALS</b>	<b>316 SS (6AL-4V Titanium also available)</b>
<b>SEAL</b>	<b>IP68</b>
<b>CABLE</b>	<b>6-conductors, Neoprene, 20 AWG, no shield</b>

## PIN OUT:

<b>WIRE COLOR</b>	<b>FUNCTION</b>
<b>BLACK</b>	<b>PWR GND</b>
<b>WHITE</b>	<b>SIG GND</b>
<b>RED</b>	<b>V+</b>
<b>GREEN</b>	<b>+TILT</b>
<b>YELLOW</b>	<b>TEMP</b>
<b>BLUE</b>	<b>-TILT</b>

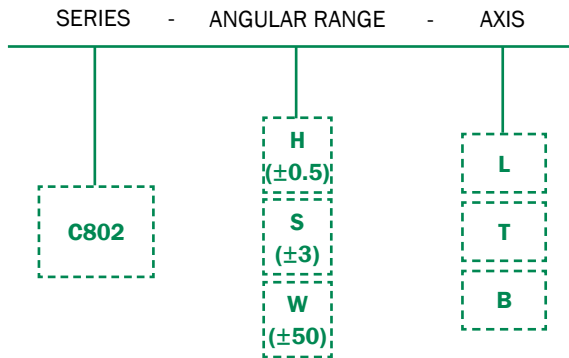
### NOTES:

1. Custom ranges available on request
2. Nonlinearity is specified as variation around the best straight line from null to full-range output.

Specifications are subject to change without notice due to continued product development

# ORDERING INFORMATION

**HOW TO ORDER** Model Numbers are comprised of the series, the number of axes, and the angular range.



	MODEL #	PART #
±0.5	C802-HL	98043-08-ROHS
	C802-HT	98043-07-ROHS
	C802-HB	98043-09-ROHS
±3	C802-SL	98043-03-ROHS
	C802-ST	98043-01-ROHS
	C802-SB	98043-05-RO HS
±50	C802-WL	98043-04-ROHS
	C802-WT	98043-02-ROHS
	C802-W13	98043-06-ROHS

## Accessories:

PART #	DESCRIPTION
00389	Extra 8-socket Female in-line connector, Neoprene, on 24-inch (60 cm) Cable Whip (bare wire leads)
00359	Extra Delrin Locking Sleeve (locks 00358 and 00389 in-line connector to Male bulkhead)
00358-xxx	Extra 6-socket Female in-line connector, Neoprene, (bare wire leads) price per foot