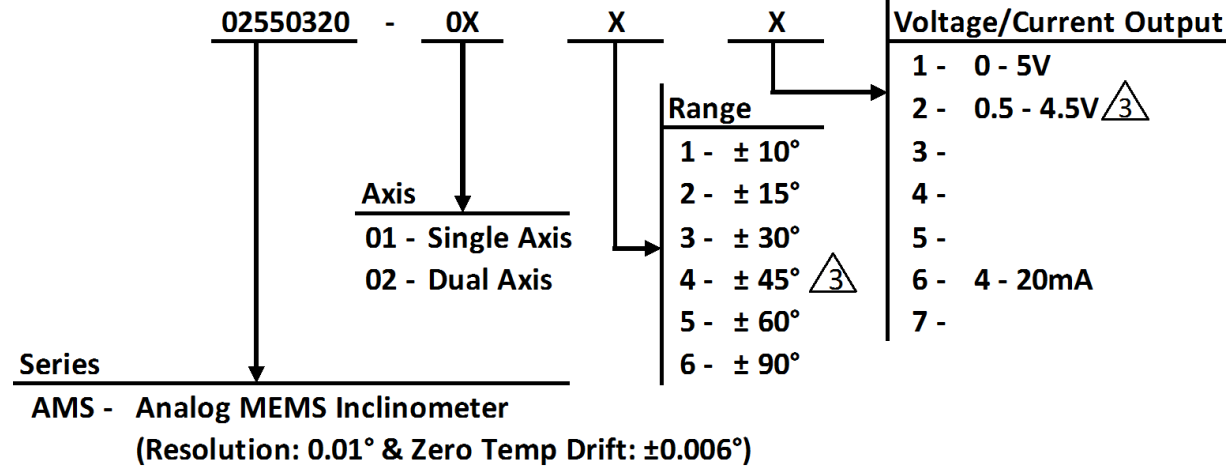


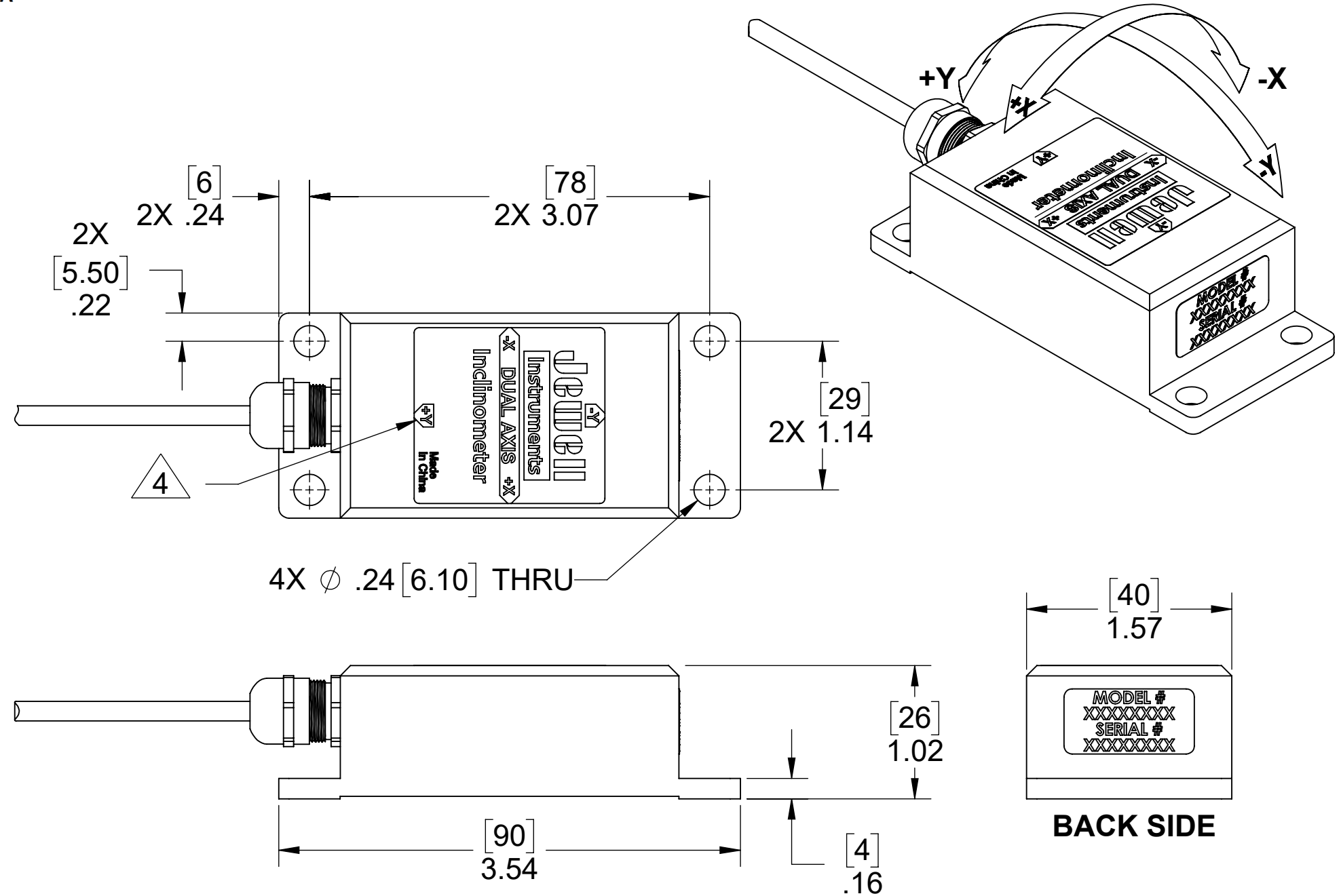
**Analog Output:**



**NOTES:**

- UNITS: [mm]  
Inch
- JEWELL PART NO.:
  - AXIS: 02550320-X[X]XX
  - RANGE: 02550320-XX[X]X
  - OUTPUT SIGNAL: 02550320-XXX[X]
- <sup>3</sup> CUSTOM OUTPUTS & RANGES ARE AVAILABLE. CONTACT JEWELL SALES FOR DETAILS.
- <sup>4</sup> SINGLE AXIS ROTATION: X-AXIS. SINGLE AXIS UNITS WILL NOT HAVE Y-ARROWS ON LABEL.
- <sup>5</sup> WIRE NOT PRESENT ON SINGLE AXIS.
- CONFIGURED FOR 9-36VDC INPUT POWER UNLESS SPECIFIED.
- INCLUDED CABLE LENGTH: 1 METER.

WIRE COLOR	FUNCTION
RED	+VDC 9V~36V
WHITE OR YELLOW	X-AXIS OUT
GREEN	Y-AXIS OUT <sup>5</sup>
BLACK	GROUND



APPLICATION		 MANCHESTER, NH TRIPLETT MODUTEC A&M EMICO	TITLE
USED ON	NEXT ASSY		DIMENSIONS ARE IN INCHES AND APPLY TO PART BEFORE FINISHING TOLERANCE UNLESS SPECIFIED TWO PLACE DECIMALS (.00) ± .01 THREE PLACE DECIMALS (.000) ± .005 ANGLES ± 1° RAW MATL - COMMERCIAL STANDARD
MATERIAL		PROPRIETARY NOTICE THIS DRAWING IS THE PROPERTY OF JEWELL INSTRUMENTS, LLC. NEITHER THIS DOCUMENT NOR THE DATA CONTAINED HEREIN SHALL BE DISCLOSED, REPRODUCED IN WHOLE OR IN PART WITHOUT THE WRITTEN AUTHORIZATION OF JEWELL INSTRUMENTS, LLC. NO RIGHT IS GRANTED TO DISCLOSE OR SO USE ANY INFORMATION CONTAINED HEREIN. ALL RIGHTS RESERVED.	DRAWING NO. OD02550320-XXXX
FINISH			SCALE 1:1
			SHEET 1 OF 1