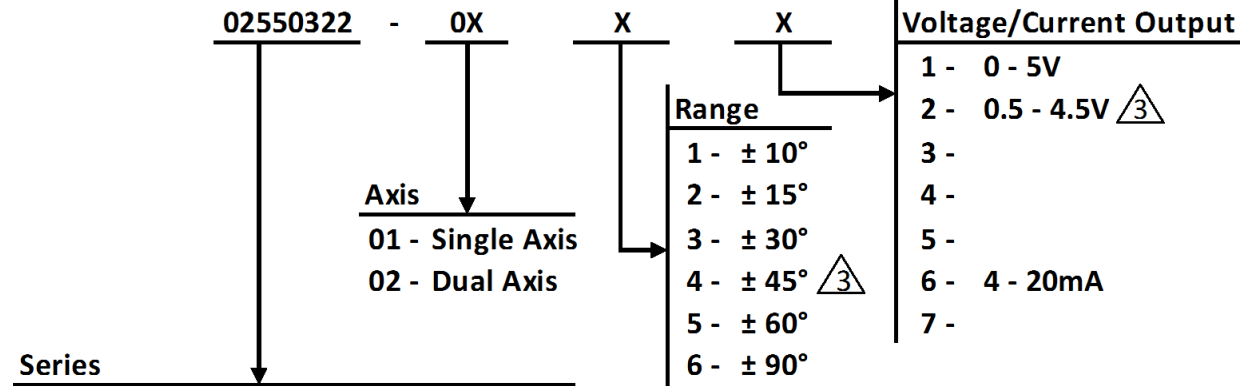


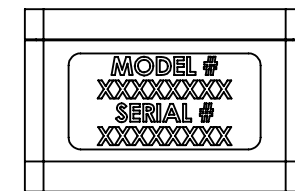
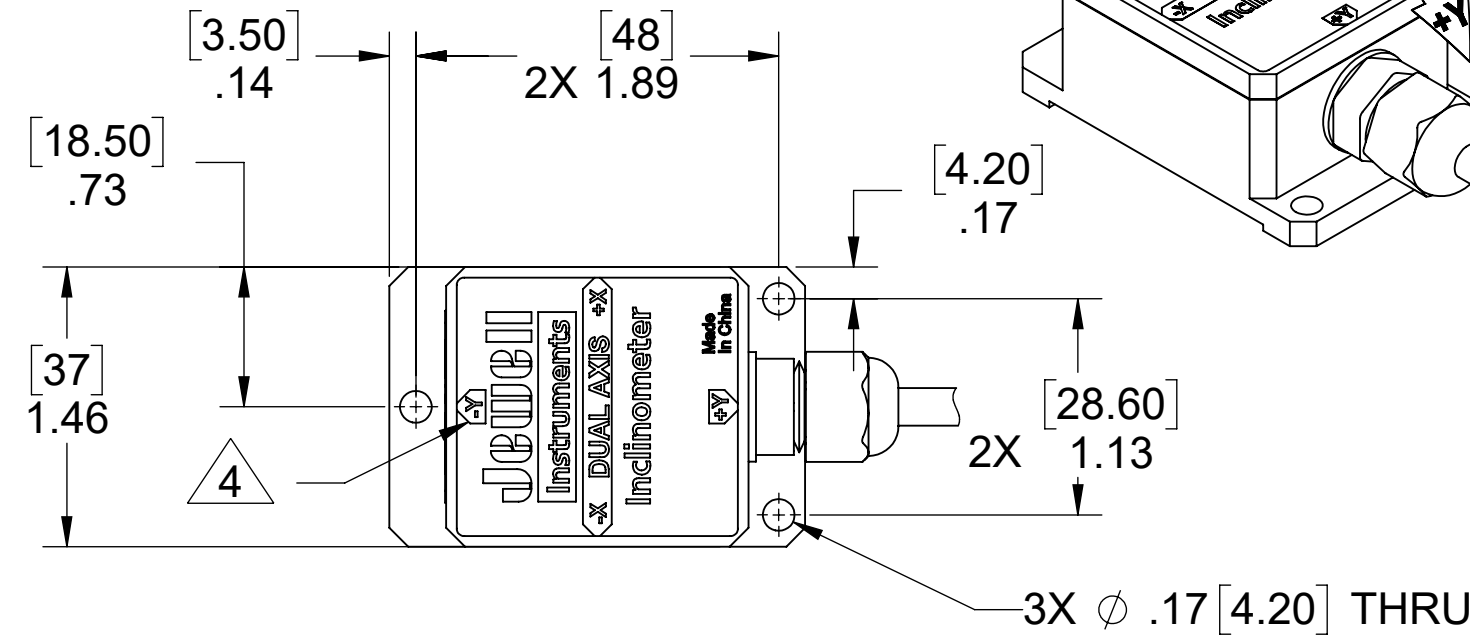
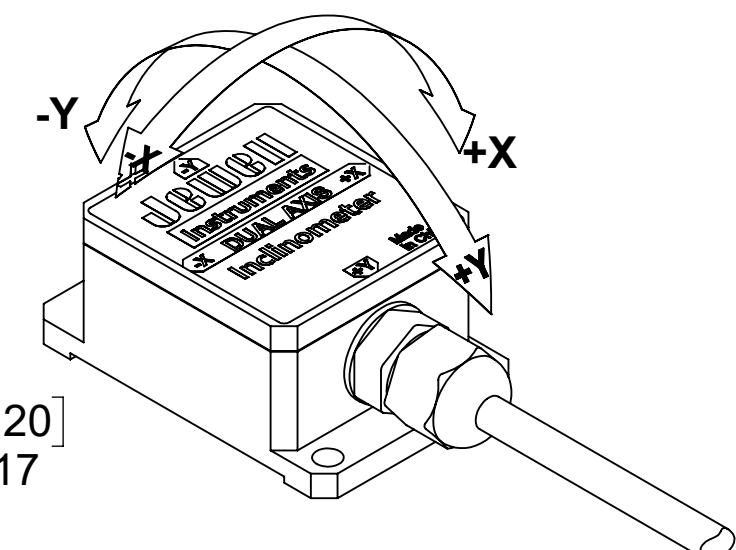
Analog Output:



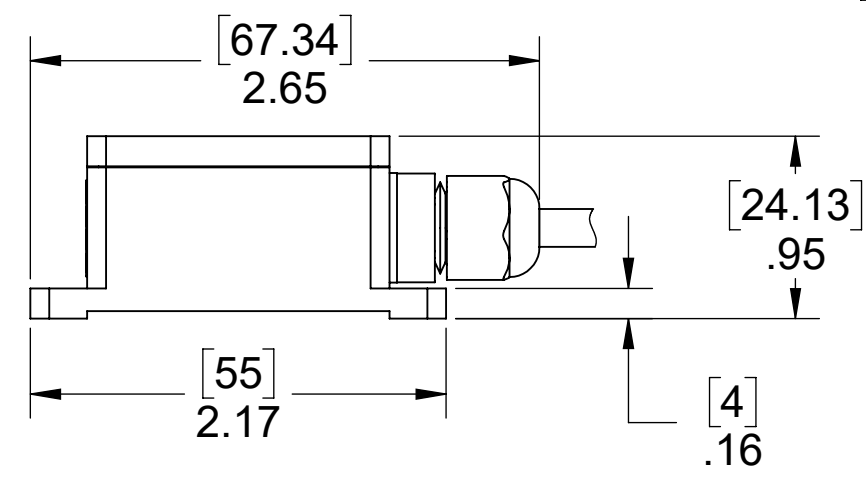
Series
AML - Analog MEMS Inclinometer
 (Resolution: 0.05° & Zero Temp Drift: ±0.01°)

NOTES:

- UNITS: [mm]
Inch
- JEWELL PART NO.:
 - AXIS: 02550322-X[X]XX
 - RANGE: 02550322-XX[X]X
 - OUTPUT SIGNAL: 02550322-XXX[X]
- CUSTOM OUTPUTS & RANGES ARE AVAILABLE. CONTACT JEWELL SALES FOR DETAILS.
- SINGLE AXIS ROTATION: X-AXIS. SINGLE AXIS UNITS WILL NOT HAVE Y-ARROWS ON LABEL.
- WIRE NOT PRESENT ON SINGLE AXIS.
- CONFIGURED FOR 9-36VDC INPUT POWER UNLESS SPECIFIED.
- INCLUDED CABLE LENGTH: 1 METER.



BACK SIDE



| WIRE COLOR | FUNCTION |
|------------|--|
| RED | +VDC 9V~36V |
| YELLOW | X-AXIS OUT |
| GREEN | Y-AXIS OUT 5 |
| BLACK | GROUND |

| | | | |
|-------------|-----------|--|---------------------------------------|
| APPLICATION | | MANCHESTER, NH TRIPLETT MODUTEC A&M EMICO | TITLE |
| USED ON | NEXT ASSY | | AML - ANALOG SERIES MEMS INCLINOMETER |
| MATERIAL | | PROPRIETARY NOTICE THIS DRAWING IS THE PROPERTY OF JEWELL INSTRUMENTS, LLC. NEITHER THIS DOCUMENT NOR THE DATA CONTAINED HEREIN SHALL BE DISCLOSED, REPRODUCED IN WHOLE OR IN PART WITHOUT THE WRITTEN AUTHORIZATION OF JEWELL INSTRUMENTS, LLC. NO RIGHT IS GRANTED TO DISCLOSE OR SO USE ANY INFORMATION CONTAINED HEREIN. ALL RIGHTS RESERVED. | DRAWING NO. |
| FINISH | | | OD02550322-XXXX |
| | | SCALE | CAGE CODE |
| | | 1:1 | 33005 |
| | | SHEET 1 OF 1 | |