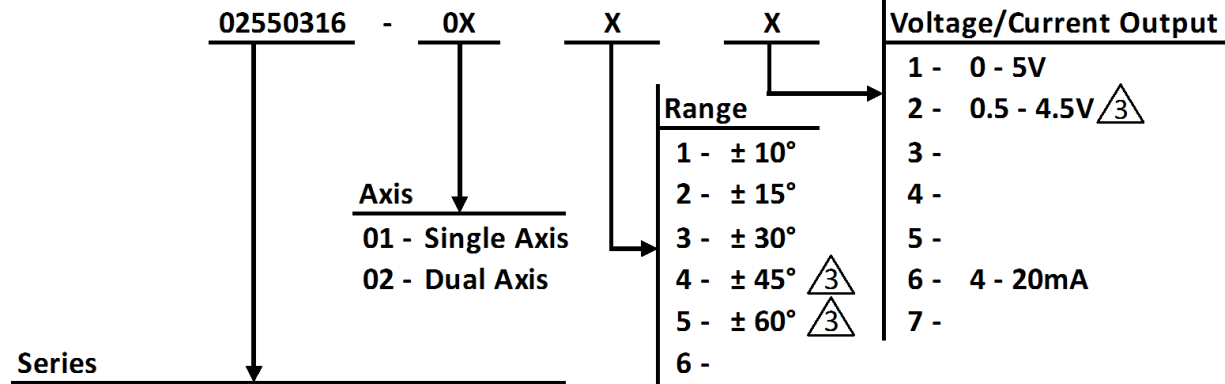


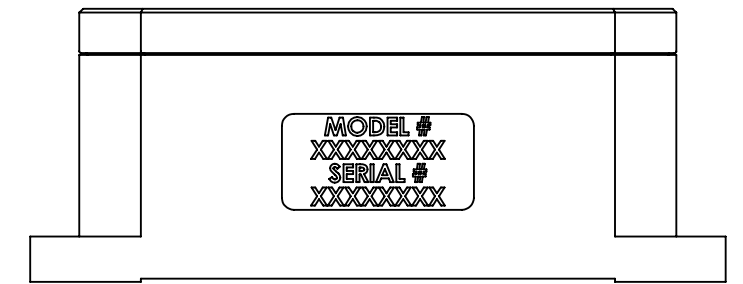
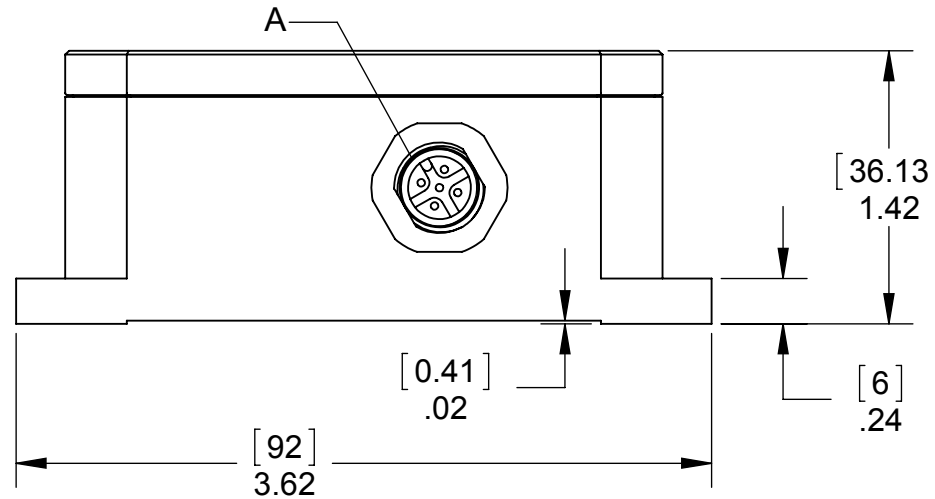
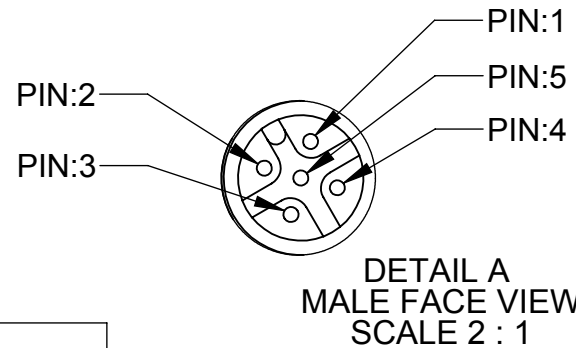
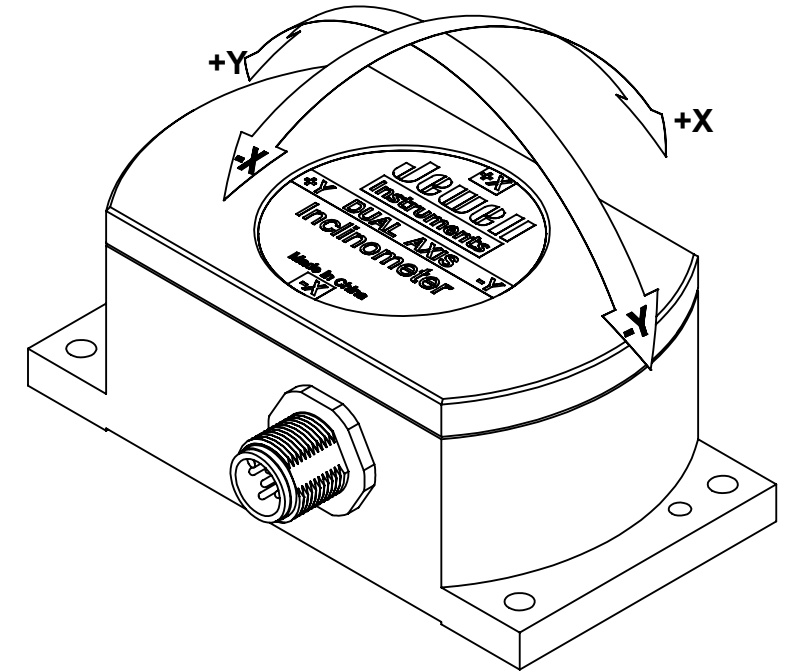
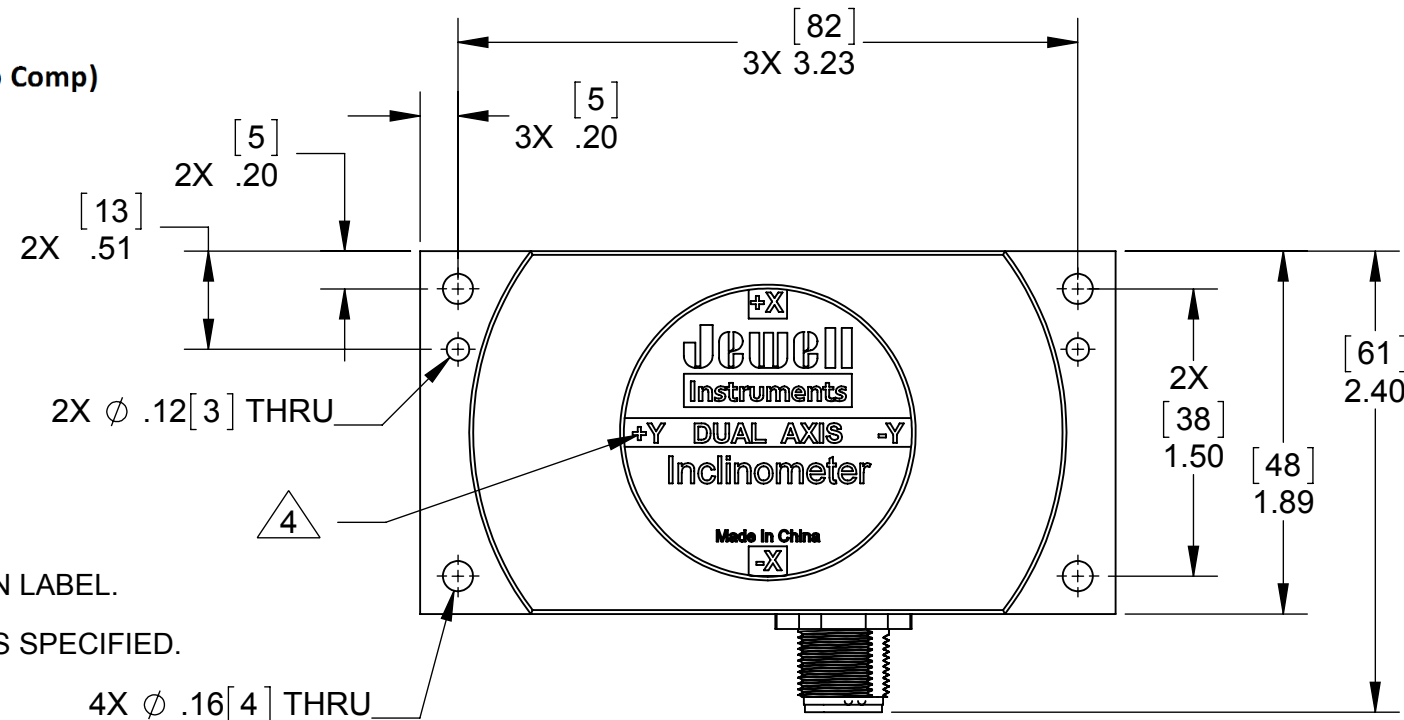
Analog Output:



AMI - Analog MEMS Inclinometer
(Resolution: 0.001° & Zero Temp Drift: ±0.0008°, Temp Comp)

NOTES:

- UNITS: [mm] / Inch
- JEWELL PART NO.:
 1. AXIS: 02550316-X[X]XX
 2. RANGE: 02550316-XX[X]X
 3. OUTPUT SIGNAL: 02550316-XXX[X]
- ³ CUSTOM OUTPUTS & RANGES ARE AVAILABLE. CONTACT JEWELL SALES FOR DETAILS.
- ⁴ SINGLE AXIS ROTATION: X-AXIS. SINGLE AXIS UNITS WILL NOT HAVE Y-ARROWS ON LABEL.
- CONFIGURED FOR 9-36VDC INPUT POWER UNLESS SPECIFIED.
- CONNECTOR INFORMATION: (M12, PER IEC-61076)
 VENDOR: LUMBERG AUTOMATION
 PART NO: 5 PIN: PRSFM 5/0.5M
- INCLUDED CABLE LENGTH: 2 METER.



BACK SIDE

| PIN | FUNCTION |
|-----|------------------|
| 1 | +VDC 9V~36V |
| 2 | X-AXIS OUT |
| 3 | Y-AXIS OUT |
| 4 | GROUND |
| 5 | FACTORY USE ONLY |

| APPLICATION | | DIMENSIONS ARE IN INCHES AND APPLY TO PART BEFORE FINISHING | | TITLE | |
|-------------|-----------|---|--|----------------------------|---------------------------------------|
| USED ON | NEXT ASSY | | | TOLERANCE UNLESS SPECIFIED | AMI - ANALOG SERIES MEMS INCLINOMETER |
| | | TWO PLACE DECIMALS (00) ± .01 | DRAWING NO. | | |
| | | THREE PLACE DECIMALS (000) ± .005 | OD02550316-XXXX | | |
| | | ANGLES ± 1° | SCALE 1:1 | | |
| | | RAW MATL - COMMERCIAL STANDARD | CAGE CODE 33005 | | |
| | | | SHEET 1 OF 1 | | |
| | | | PROPRIETARY NOTICE THIS DRAWING IS THE PROPERTY OF JEWELL INSTRUMENTS, LLC. NEITHER THIS DOCUMENT NOR THE DATA CONTAINED HEREIN SHALL BE DISCLOSED, REPRODUCED IN WHOLE OR IN PART WITHOUT THE WRITTEN AUTHORIZATION OF JEWELL INSTRUMENTS, LLC. NO RIGHT IS GRANTED TO DISCLOSE OR SO USE ANY INFORMATION CONTAINED HEREIN. ALL RIGHTS RESERVED. | | |
| FINISH | | | | | |