

2 1/2" RUGGEDIZED PANEL METERS—90°



2 1/2" (MR 26)

MODEL:
 263 AC RECTIFIER TYPE
 264 RF CORE MAGNET
 265 DC CORE MAGNET
 266 AC IRON VANE

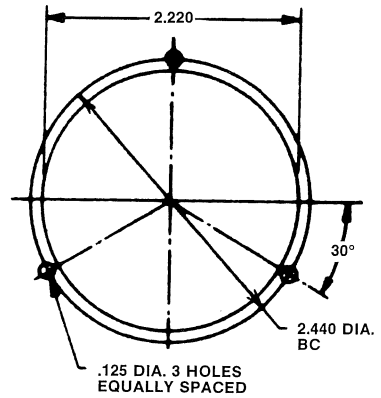
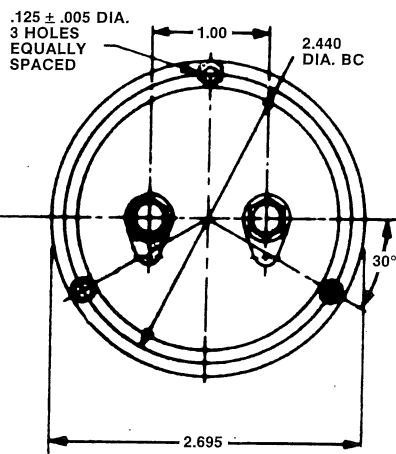
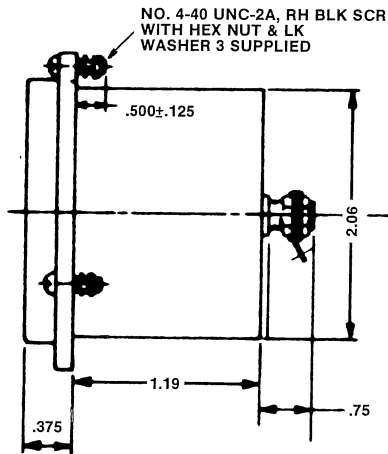
GENERAL SPECIFICATIONS VARIATIONS

Pointer: Lance, 1.062 Inches

Scale Length: Models 263, 264, 265 & 265E, 1.8 Inches;
 Model 266, 1.6 Inches

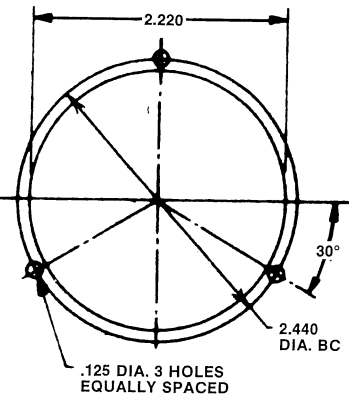
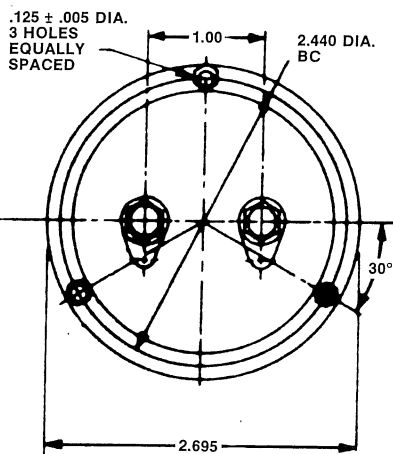
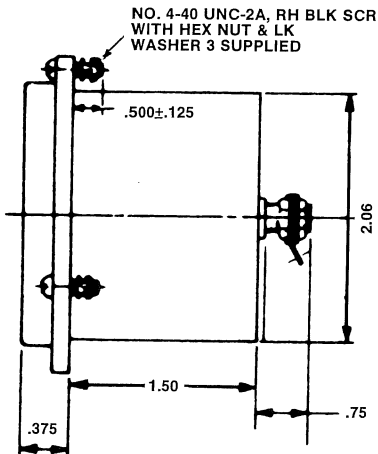
Terminals: 1/4-28 Brass Stud (Nuts, Washers, Solder Lugs Provided)

2 1/2" MODEL, 263, 264, 265, 265E



PANEL DRILLING PLAN

2 1/2" MODEL 266



PANEL DRILLING PLAN