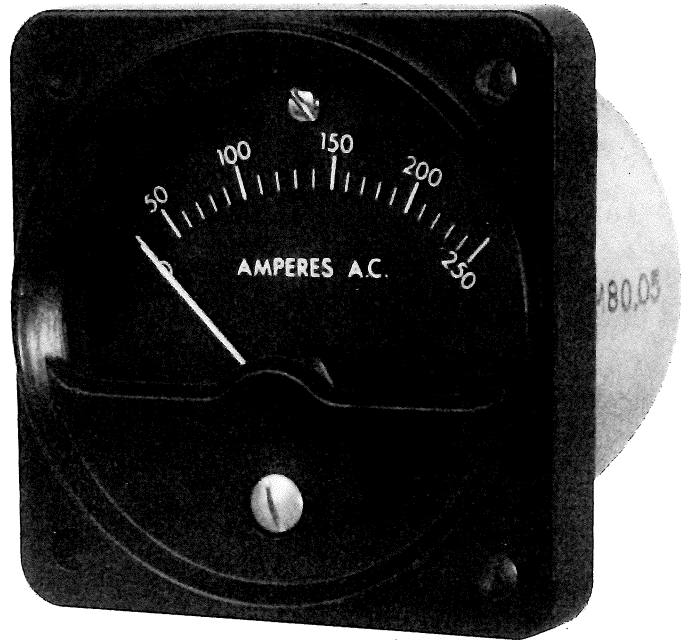


# 2 1/2" RUGGEDIZED PANEL METERS—90°

## 2 1/2"

MODEL:  
 233 AC RECTIFIER TYPE  
 235 DC CORE MAGNET  
 236 AC IRON VANE



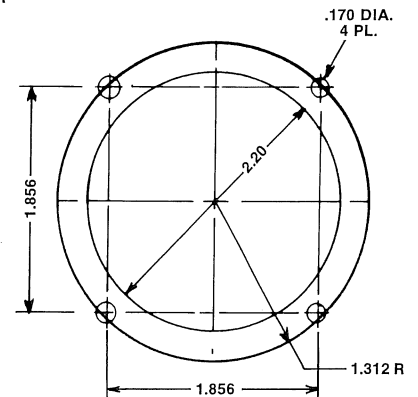
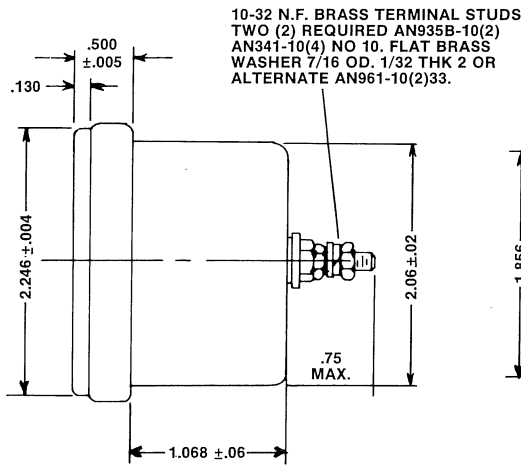
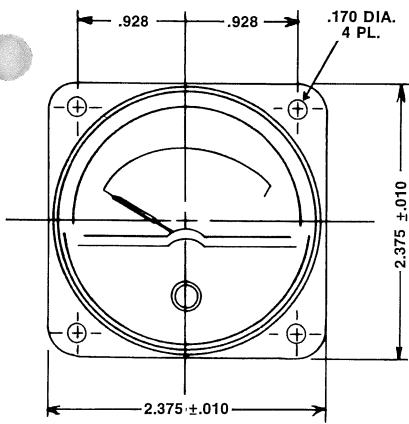
### GENERAL SPECIFICATIONS VARIATIONS

**Pointer:** Lance, 1.062 Inches

**Scale Length:** Models 233 & 235, 1.8 Inches; Model 236, 1.6 Inches

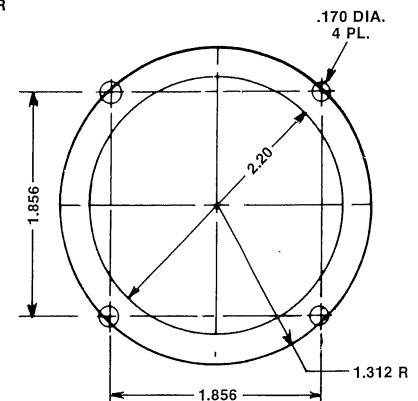
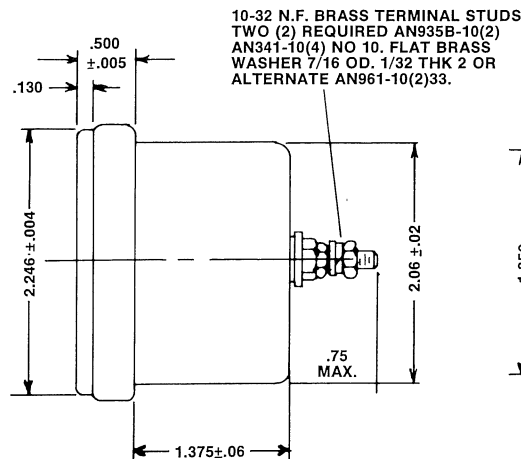
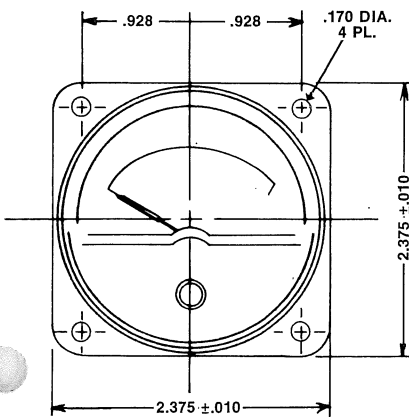
**Terminals:** 10/32 Brass Stud (Nuts, Washers, Solder Lugs Provided)

### 2 1/2" MODELS 233, 235



PANEL DRILLING PLAN

### 2 1/2" MODEL 236



PANEL DRILLING PLAN