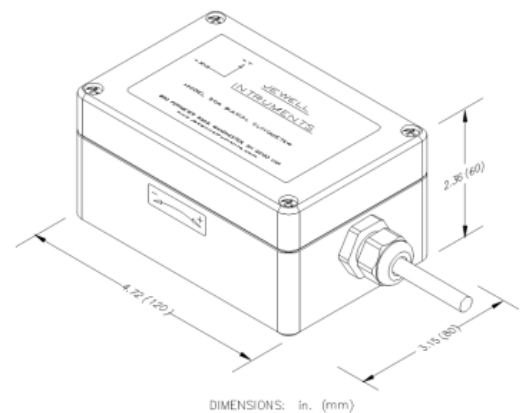
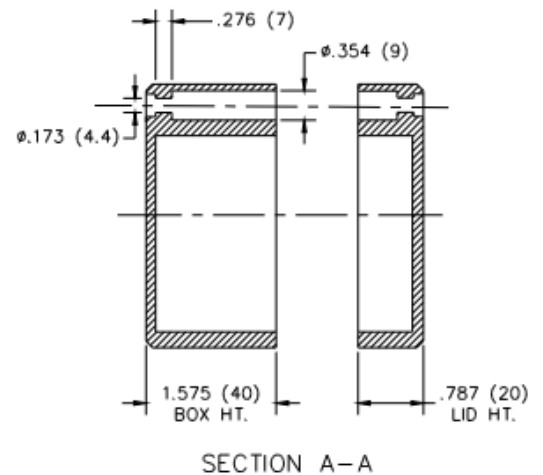
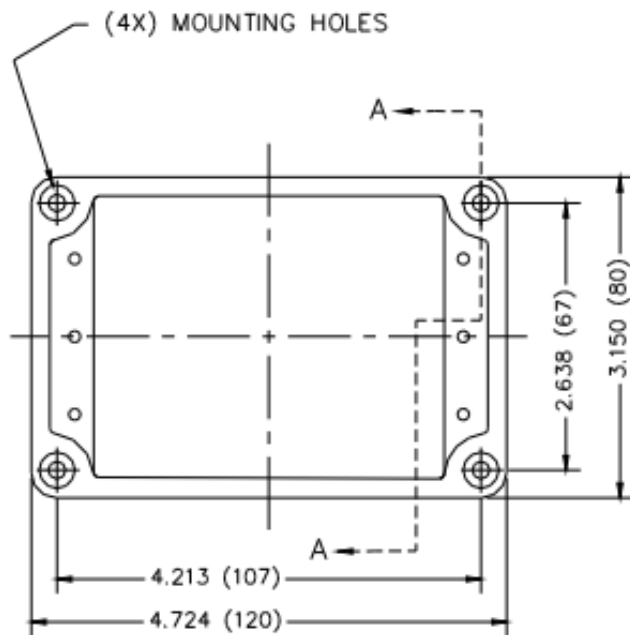


Model A904 Clinometer Pak

The model A904 "Clinometer Pak" is a low cost biaxial inclinometer housing a rugged weatherproof enclosure. Units are available in +/-2.5V or 0-5V DC output. All A904 Clinometers are IP65 waterproof, and powerful on-board electronics will drive cables over 500 meters. Use the model A904 and for industrial pitch and roll measurements, platform position and control, geotechnical monitoring and more. Units come standard with 3m cable pigtail; for longer lengths please specify per order.



PERFORMANCE SPECIFICATIONS

PERFORMANCE

VERSION	High-Gain	Standard	Wide-Angle
ANGULAR RANGE (°) ¹	±10°	±25°	±50°
SCALE FACTOR	4°/V	10°/V	25°/V
NONLINEARITY (%FRO) ² max	1%	2.5%	7%
NONREPEATABILITY	0.02°		
RESOLUTION	0.005°	0.01°	0.02°
TIME CONSTANT	0.15 sec		
Kz TEMP COEFFICIENT (°/C)	10-20 arcsec/C (typical)		
Ks TEMP COEFFICIENT (%/°C)	0.03%/C (typical)		
OUTPUT	±2.5 VDC or 0-5 VDC		
CHANNELS	X-tilt, Y-tilt, Temperature		

ELECTRICAL & ENVIRONMENTAL

NUMBER OF AXES	2
OUTPUT IMPEDANCE (Ohms, nominal)	270, short circuit protected
NATURAL FREQUENCY	10 Hz
POWER	+8 to +24 VDC (bipolar output); +10.5 to +26.5 VDC (0-5V output); 7mA, 250 mV ripple max, reverse polarity protected
OPERATING TEMPERATURE RANGE	-40° to +85° C
STORAGE TEMPERATURE RANGE	-40° to +85° C
WEIGHT	0.4 kg (1 lb.)
MATERIALS	Die-cast aluminum, painted

PIN OUT:

CONNECTOR	FUNCTION
RED	V+
BLACK	GND
GREEN	X-OUT
BLUE	Y-OUT
YELLOW	TEMPOUT

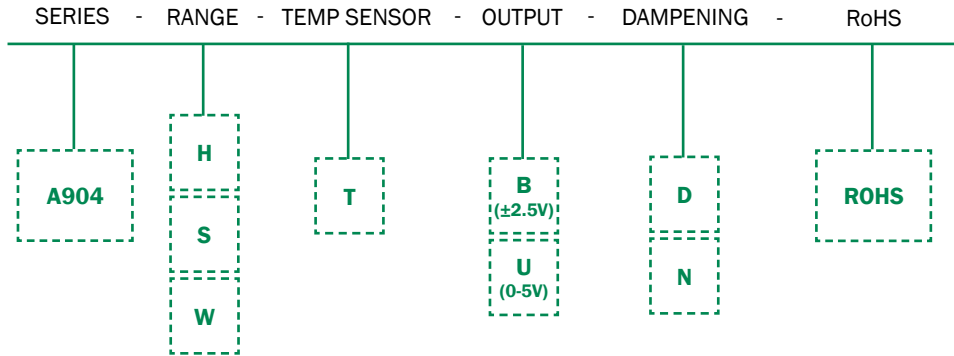
NOTES:

1. Custom ranges available on request
2. Nonlinearity is specified as deviation of output referenced to theoretical sine function value, independent of misalignment

Specifications are subject to change without notice due to continued product development

ORDERING INFORMATION

HOW TO ORDER Model Numbers are comprised of the series, the number of axes, and the angular range.



MODEL #	PART #
A904-HT-BN-ROHS	98904-09-ROHS
A904-HT-BD-ROHS	98904-11-ROHS
A904-HT-UN-ROHS	98904-10-ROHS
A904-HT-UD-ROHS	98904-12-ROHS
A904-ST-BN-ROHS	98904-01-ROHS
A904-ST-BD-ROHS	98904-05-ROHS
A904-ST-UN-ROHS	98904-02-ROHS
A904-ST-UD-ROHS	98904-06-ROHS
A904-WT-BN-ROHS	98904-03-RO HS
A904-WT-BD-ROHS	98904-07-ROHS
A904-WT-UN-ROHS	98904-04-ROHS
A904-WT-UD-ROI-S	98904-08-ROHS

Accessories:

PART #	DESCRIPTION
70369	6-conductor cable (specify required length on order)
84033	Extra 6-ft Cable Assembly, RS232 Output, w/ DB9-sub Connector
84080-01	Extra 6-ft Cable Assembly, RS422 Output, w/ DB9-sub Connector
00254-02	Transformer, 100-240VAC to 12VDC
81439	Mounting bracket for vertical surfaces
84051	Mounting plate for horizontal surfaces

850 Perimeter Road Manchester, NH 03103 USA

SENSORS: 800.227.5955

www.jewellinstruments.com | sensors@jewellinstruments.com

© Jewell Instruments 2020

Jewell
Instruments

ISO9001
CERTIFIED