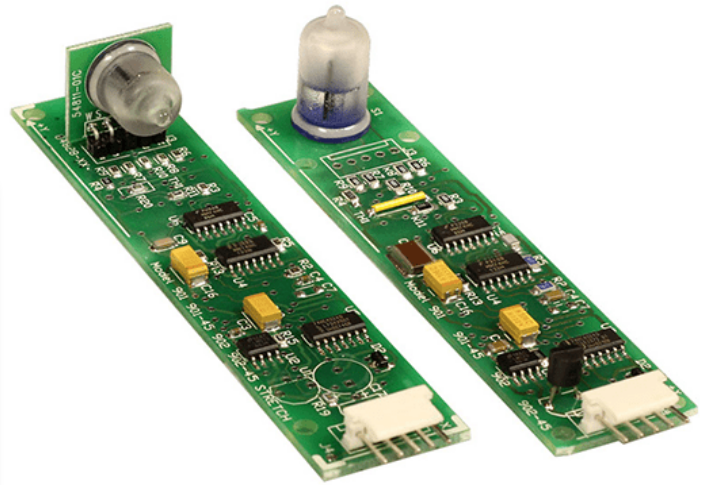
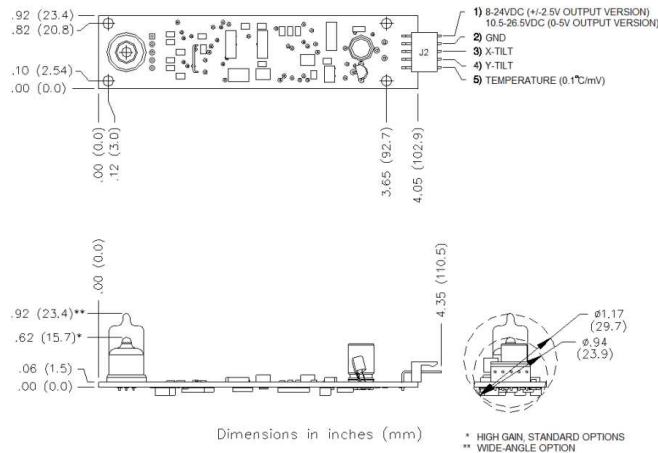


Model 901/902 Slimline Clinometer

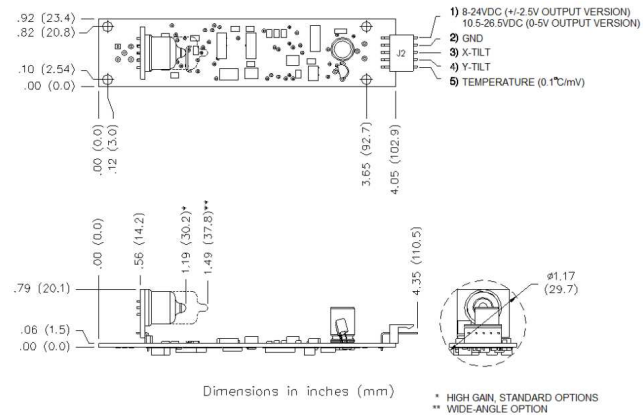
The model A901 and A902 Slimline Biaxial Clinometers delivers the same performance as our model 900, but in a slim, compact package. Units are available in horizontal (A901) or vertical (A902) mounting packages. Standard output is +/-2.5V or 0-5V DC. Units ship with 18" hook-up pigtail. Use the model A901 and A902 for industrial pitch and roll measurements, platform position and control, OEM assemblies, and specialized instrument packages where space is limited.



A901, Slimline Biaxial Clinometer (Horizontal Configuration)



A902, Slimline Biaxial Clinometer (Vertical Configuration)



PERFORMANCE SPECIFICATIONS

PERFORMANCE

VERSION	High-Gain	Standard	Wide-Angle
ANGULAR RANGE (°) ¹	±10°	±25°	±50°
SCALE FACTOR	4°/V	10°/V	25°/V
NONLINEARITY (%FRO) ² max	1%	2.5%	7%
NONREPEATABILITY	0.02°		
RESOLUTION	0.005°	0.01°	0.02°
TIME CONSTANT	0.15 sec		
Kz TEMP COEFFICIENT (°/C)	10-20 arcsec/C (typical)		
Ks TEMP COEFFICIENT (%/°C)	0.03%/C (typical)		
OUTPUT	±2.5 VDC or 0-5 VDC		
CHANNELS	X-tilt, Y-tilt, Temperature		

ELECTRICAL & ENVIRONMENTAL

NUMBER OF AXES	2
OUTPUT IMPEDANCE (Ohms, nominal)	270, short circuit protected
NATURAL FREQUENCY	10 Hz
POWER	+8 to +24 VDC (bipolar output); +10.5 to +26.5 VDC (0-5V output); 7mA, 250 mV ripple max, reverse polarity protected
OPERATING TEMPERATURE RANGE	-40° to +85° C
STORAGE TEMPERATURE RANGE	-40° to +85° C
MATERIALS	Glass electrolytic sensor, fiberglass PCB

PIN OUT:

CONNECTOR	FUNCTION
RED	V+
BLACK	GND
GREEN	X-OUT
BLUE	Y-OUT
YELLOW	TEMPOUT

NOTES:

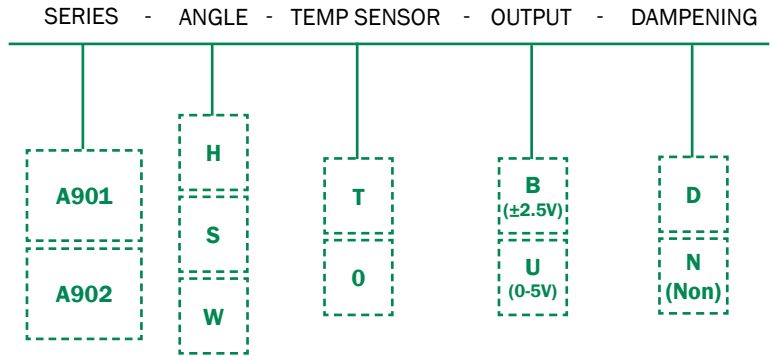
1. Custom ranges available on request
2. Nonlinearity is specified as deviation of output referenced to theoretical sine function value, independent of misalignment

Specifications are subject to change without notice due to continued product development



ORDERING INFORMATION

HOW TO ORDER Model Numbers are comprised of the series, the number of axes, and the angular range.



MODEL #	PART #	MODEL #	PART #
A901-HO-BN	98901-09	A901-ST-BN	98901-02
A901-HO-BD	98901-11	A901-ST-BD	98901-06
A901-HO-UN	98901-21	A901-ST-UN	98901-14
A901-HO-UD	98901-23	A901-ST-UD	98901-18
A901-HT-BN	98901-10	A901-WO-BN	98901-03
A901-HT-BD	98901-12	A901-WO-BD	98901-07
A901-HT-UN	98901-22	A901-WO-UN	98901-15
A901-HT-UD	98901-24	A901-WO-UD	98901-19
A901-SO-BN	98901-01	A901-WT-BN	98901-04
A901-SO-BD	98901-05	A901-WT-BD	98901-08
A901-SO-UN	98901-13	A901-WT-UN	98901-16
A901-SO-UD	98901-17	A901-WT-UD	98901-20

MODEL #	PART #	MODEL #	PART #
A902-HO-BN	98902-09	A902-ST-BN	98902-02
A902-HO-BD	98902-11	A902-ST-BD	98902-06
A902-HO-UN	98902-21	A902-ST-UN	98902-14
A902-HO-UD	98902-23	A902-ST-UD	98902-18
A902-HT-BN	98902-10	A902-WO-BN	98902-03
A902-HT-BD	98902-12	A902-WO-BD	98902-07
A902-HT-UN	98902-22	A902-WO-UN	98902-15
A902-HT-UD	98902-24	A902-WO-UD	98902-19
A902-SO-BN	98902-01	A902-WT-BN	98902-04
A902-SO-BD	98902-05	A902-WT-BD	98902-08
A902-SO-UN	98902-13	A902-WT-UN	98902-16
A902-SO-UD	98902-17	A902-WT-UD	98902-20

850 Perimeter Road Manchester, NH 03103 USA

SENSORS: 800.227.5955

www.jewellinstruments.com | sensors@jewellinstruments.com

© Jewell Instruments 2020

Jewell
Instruments

ISO9001
CERTIFIED