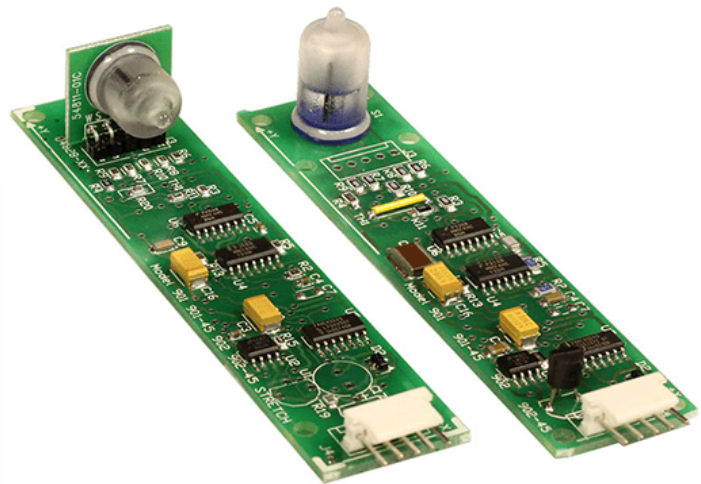
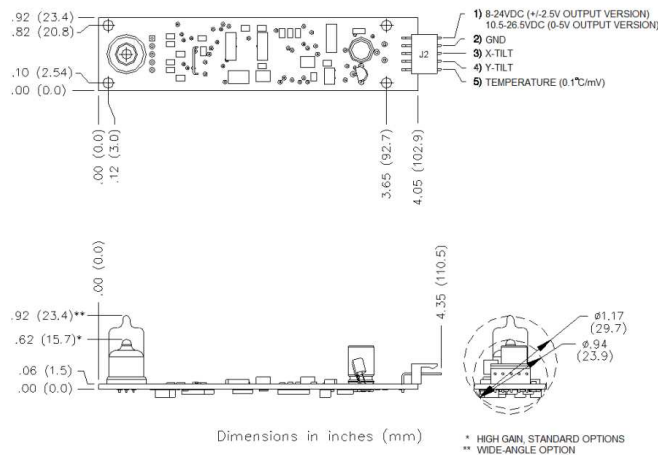


## Model 901/902 Slimline Clinometer

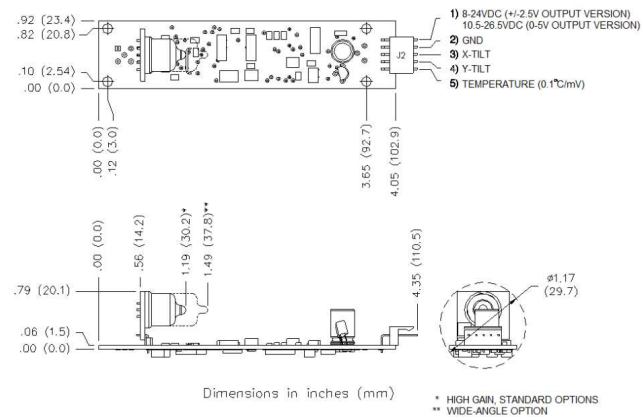
The model A901 and A902 Slimline Biaxial Clinometers delivers the same performance as our model 900, but in a slim, compact package. Units are available in horizontal (A901) or vertical (A902) mounting packages. Standard output is +/-2.5V or 0-5V DC. Units ship with 18" hook-up pigtail. Use the model A901 and A902 for industrial pitch and roll measurements, platform position and control, OEM assemblies, and specialized instrument packages where space is limited.



A901, Slimline Biaxial Clinometer (Horizontal Configuration)



A902, Slimline Biaxial Clinometer (Vertical Configuration)



# PERFORMANCE SPECIFICATIONS

## PERFORMANCE

VERSION	High-Gain	Standard	Wide-Angle
ANGULAR RANGE (°) <sup>1</sup>	±10°	±25°	±50°
SCALE FACTOR	4°/V	10°/V	25°/V
NONLINEARITY (%FRO) <sup>2</sup> max	1%	2.5%	7%
NONREPEATABILITY	0.02°		
RESOLUTION	0.005°	0.01°	0.02°
TIME CONSTANT	0.15 sec		
Kz TEMP COEFFICIENT (°/C)	10-20 arcsec/C (typical)		
Ks TEMP COEFFICIENT (%/°C)	0.03%/C (typical)		
OUTPUT	±2.5 VDC or 0-5 VDC		
CHANNELS	X-tilt, Y-tilt, Temperature		

## ELECTRICAL & ENVIRONMENTAL

NUMBER OF AXES	2
OUTPUT IMPEDANCE (Ohms, nominal)	270, short circuit protected
NATURAL FREQUENCY	10 Hz
POWER	+8 to +24 VDC (bipolar output); +10.5 to +26.5 VDC (0-5V output); 7mA, 250 mV ripple max, reverse polarity protected
OPERATING TEMPERATURE RANGE	-40° to +85° C
STORAGE TEMPERATURE RANGE	-40° to +85° C
MATERIALS	Glass electrolytic sensor, fiberglass PCB

## PIN OUT:

CONNECTOR	FUNCTION
RED	V+
BLACK	GND
GREEN	X-OUT
BLUE	Y-OUT
YELLOW	TEMPOUT

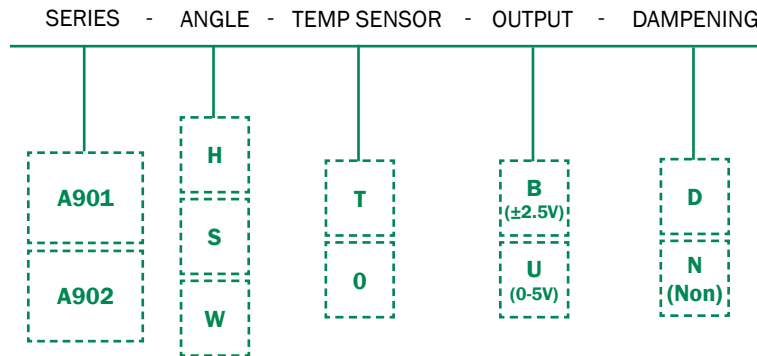
### NOTES:

1. Custom ranges available on request
2. Nonlinearity is specified as deviation of output referenced to theoretical sine function value, independent of misalignment

Specifications are subject to change without notice due to continued product development

# ORDERING INFORMATION

**HOW TO ORDER** Model Numbers are comprised of the series, the number of axes, and the angular range.



MODEL #	PART #	MODEL #	PART #	MODEL #	PART #	MODEL #	PART #
A901-H0-BN	98901-09	A901-ST-BN	98901-02	A902-H0-BN	98902-09	A902-ST-BN	98902-02
A901-H0-BD	98901-11	A901-ST-BD	98901-06	A902-H0-BD	98902-11	A902-ST-BD	98902-06
A901-H0-UN	98901-21	A901-ST-UN	98901-14	A902-H0-UN	98902-21	A902-ST-UN	98902-14
A901-H0-UD	98901-23	A901-ST-UD	98901-18	A902-H0-UD	98902-23	A902-ST-UD	98902-18
A901-HT-BN	98901-10	A901-W0-BN	98901-03	A902-HT-BN	98902-10	A902-W0-BN	98902-03
A901-HT-BD	98901-12	A901-W0-BD	98901-07	A902-HT-BD	98902-12	A902-W0-BD	98902-07
A901-HT-UN	98901-22	A901-W0-UN	98901-15	A902-HT-UN	98902-22	A902-W0-UN	98902-15
A901-HT-UD	98901-24	A901-W0-UD	98901-19	A902-HT-UD	98902-24	A902-W0-UD	98902-19
A901-S0-BN	98901-01	A901-WT-BN	98901-04	A902-S0-BN	98902-01	A902-WT-BN	98902-04
A901-S0-BD	98901-05	A901-WT-BD	98901-08	A902-S0-BD	98902-05	A902-WT-BD	98902-08
A901-S0-UN	98901-13	A901-WT-UN	98901-16	A902-S0-UN	98902-13	A902-WT-UN	98902-16
A901-S0-UD	98901-17	A901-WT-UD	98901-20	A902-S0-UD	98902-17	A902-WT-UD	98902-20

## Accessories:

PART #	DESCRIPTION
81100-05	Extra 18-inch Cable Pigtail for A900, A901, & A902 Analog Clinometers
81102-01	Extra 18-inch Cable Pigtail for C901 & C902 4-20mA Clinometers
84063-01	Extra 24-inch Cable Assembly for Iris Tilt Switch, RS232 w/ DB9-sub Connector
84088-01	Extra 24-inch Cable Assembly for Iris Tilt Switch, RS422 w/ DB9-sub Connector
84083-01	Advanced Tilt Switch Control Cable (Connects to H3 on IRIS Tilt Switch), 24-inch Flying Leads

850 Perimeter Road Manchester, NH 03103 USA

SENSORS: 800.227.5955

www.jewellinstruments.com | sensors@jewellinstruments.com

© Jewell Instruments 2020

**Jewell**  
Instruments

ISO9001  
CERTIFIED