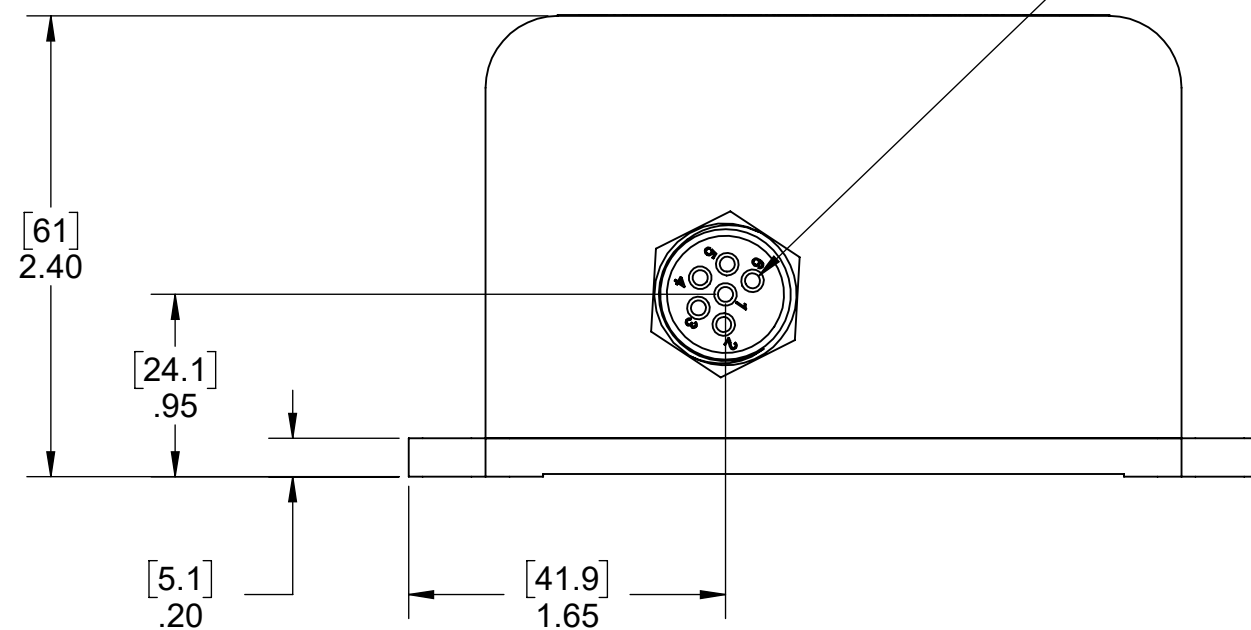


CONNECTOR PINOUT		
PIN	COLOR	ASSIGNMENT
1	BLACK	PWR GND
2	WHITE	SIGNAL GND
3	RED	PWR
4	GREEN	X-TILT
5	ORANGE	TEMP
6	BLUE	Y-TILT

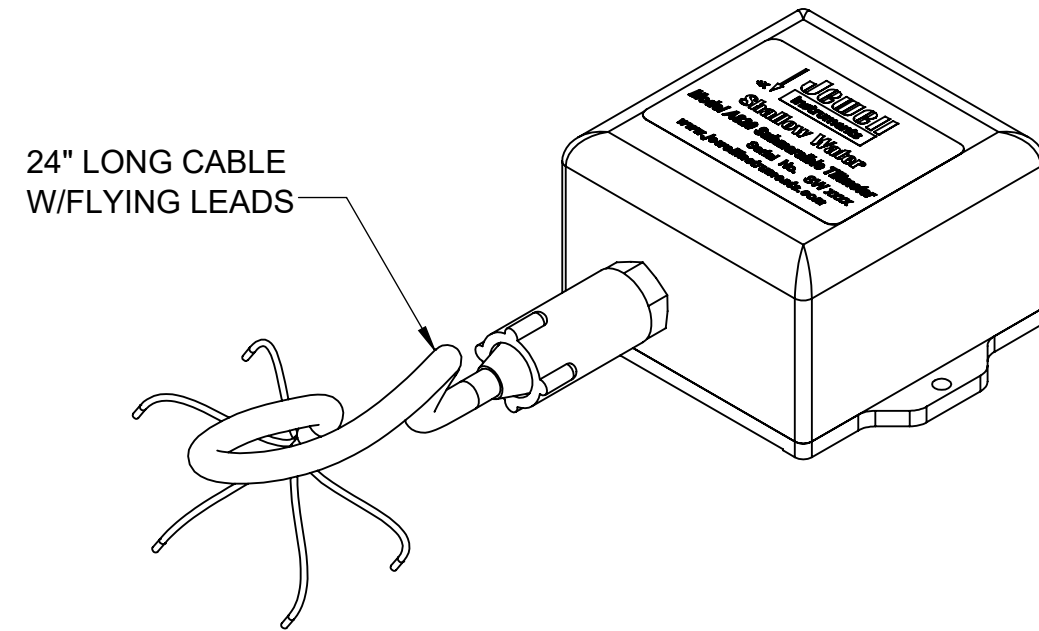
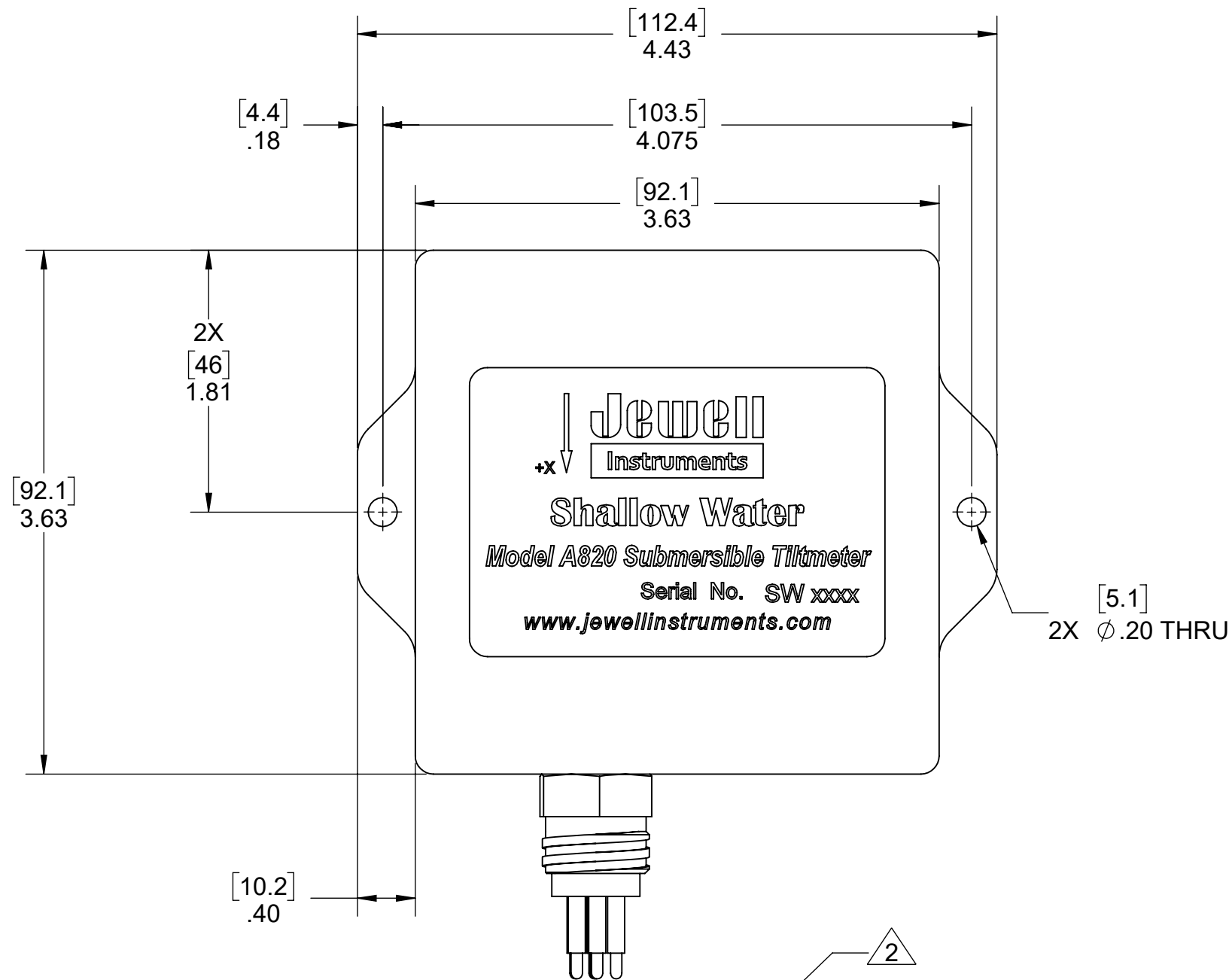
NOTES:

1. UNITS:  $\frac{[mm]}{IN}$

2. CONNECTOR PART NUMBER: SUBCONN MCBH6M. MATES WITH SUBCONN MCIL6F.



MATERIAL	DIMENSIONS UNITS ARE: [mm] INCH	 <b>Jewell Instruments</b> MANCHESTER, NH TRIPLETT MODUTEC A&M EMICO	TITLE A820-SW BIAXIAL A820 OUTLINE DRAWING		
	FINISH TOLERANCE UNLESS SPECIFIED TWO PLACE DECIMALS .00 ± .01 THREE PLACE DECIMALS .000 ± .005 ANGLES ± 1°		DRAWING NO. OD98823	REV. A	
		PROPRIETARY NOTICE THIS DRAWING IS THE PROPERTY OF JEWELL INSTRUMENTS, LLC. NEITHER THIS DOCUMENT NOR THE DATA CONTAINED HEREIN SHALL BE DISCLOSED, REPRODUCED IN WHOLE OR IN PART WITHOUT THE WRITTEN AUTHORIZATION OF JEWELL INSTRUMENTS, LLC. NO RIGHT IS GRANTED TO DISCLOSE OR SO USE ANY INFORMATION CONTAINED HEREIN. ALL RIGHTS RESERVED.	SCALE 1:1	CAGE CODE 33005	SHEET 1 OF 3



24" LONG CABLE  
W/FLYING LEADS

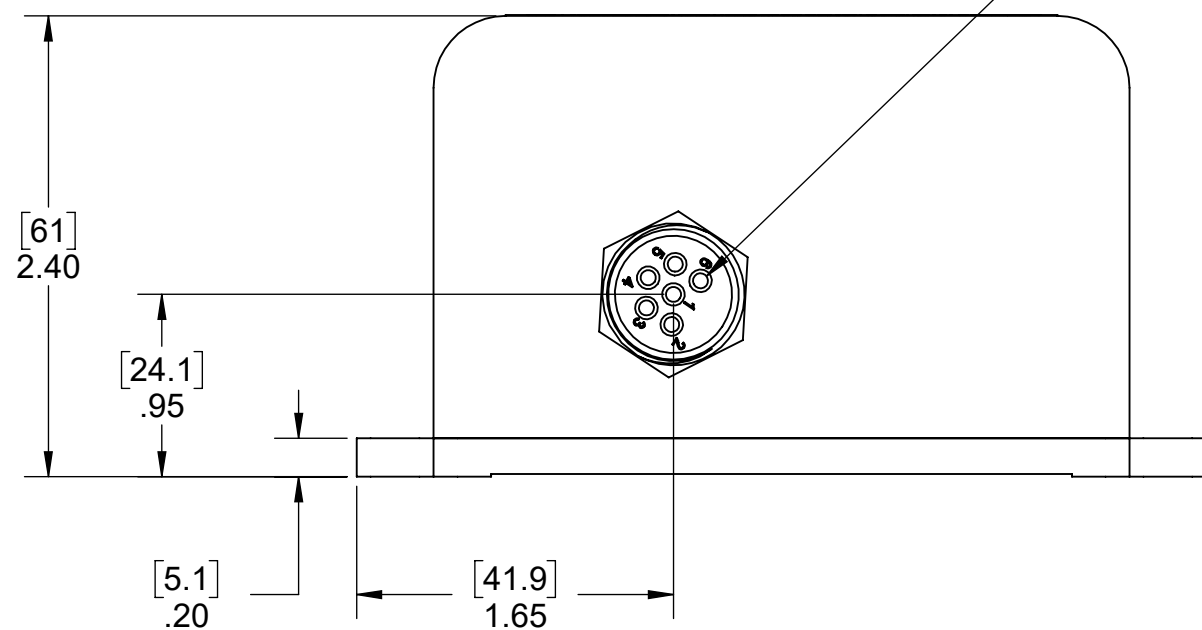
### CONNECTOR PINOUT

PIN	COLOR	ASSIGNMENT
1	BLACK	PWR GND
2	WHITE	SIGNAL GND
3	RED	PWR
4	GREEN	X-TILT
5	ORANGE	TEMP
6	N/C	N/C

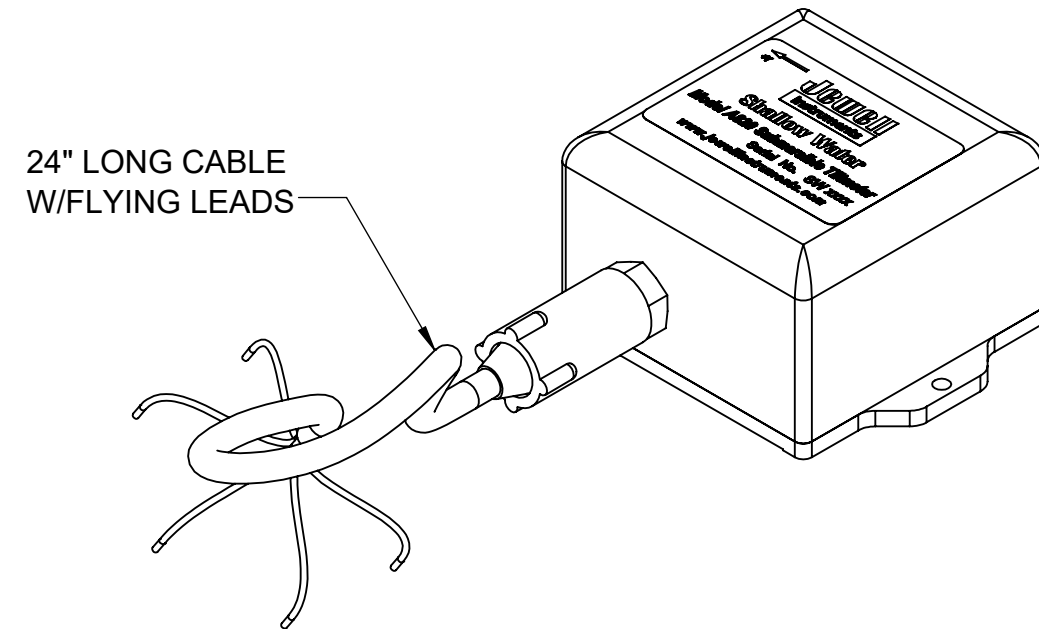
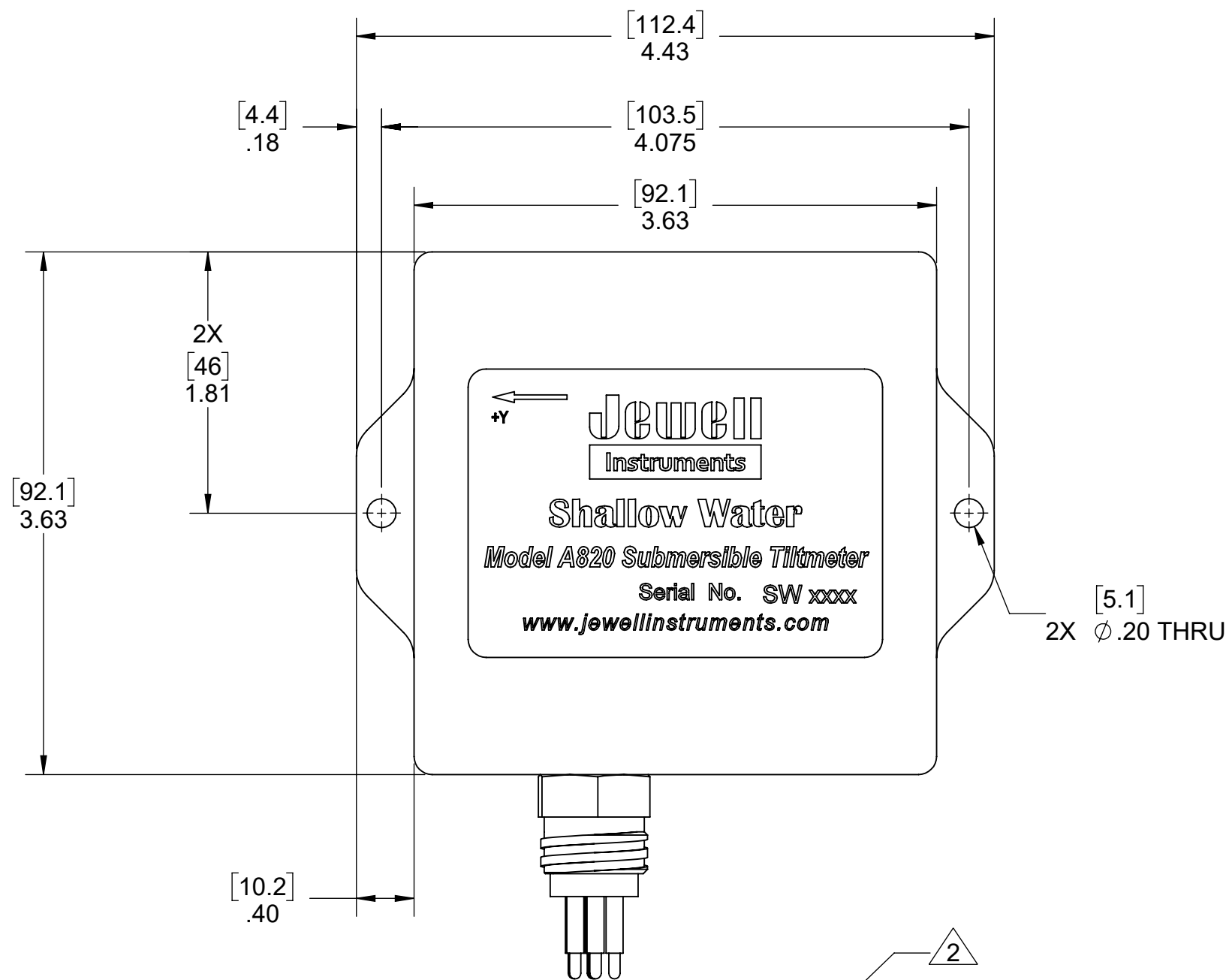
NOTES:

1. UNITS:  $\frac{[mm]}{IN}$

2. CONNECTOR PART NUMBER: SUBCONN MCBH6M. MATES WITH SUBCONN MCIL6F.



MATERIAL	DIMENSIONS UNITS ARE: [mm] INCH	 MANCHESTER, NH TRIPLETT MODUTEC A&M EMICO	TITLE A820-SW TRANSVERSE A820 OUTLINE DRAWING	
	FINISH		TOLERANCE UNLESS SPECIFIED TWO PLACE DECIMALS .00 ± .01 THREE PLACE DECIMALS .000 ± .005 ANGLES ± 1°	DRAWING NO. OD98823
CHECKED BY	DATE	DRAWN BY TAD	DATE 6/23/2015	
APPROVED BY	DATE			PROPRIETARY NOTICE THIS DRAWING IS THE PROPERTY OF JEWELL INSTRUMENTS, LLC. NEITHER THIS DOCUMENT NOR THE DATA CONTAINED HEREIN SHALL BE DISCLOSED, REPRODUCED IN WHOLE OR IN PART WITHOUT THE WRITTEN AUTHORIZATION OF JEWELL INSTRUMENTS, LLC. NO RIGHT IS GRANTED TO DISCLOSE OR SO USE ANY INFORMATION CONTAINED HEREIN. ALL RIGHTS RESERVED.
		SCALE 1:1	CAGE CODE 33005	SHEET 2 OF 3



24" LONG CABLE  
W/FLYING LEADS

[5.1]  
2X Ø.20 THRU

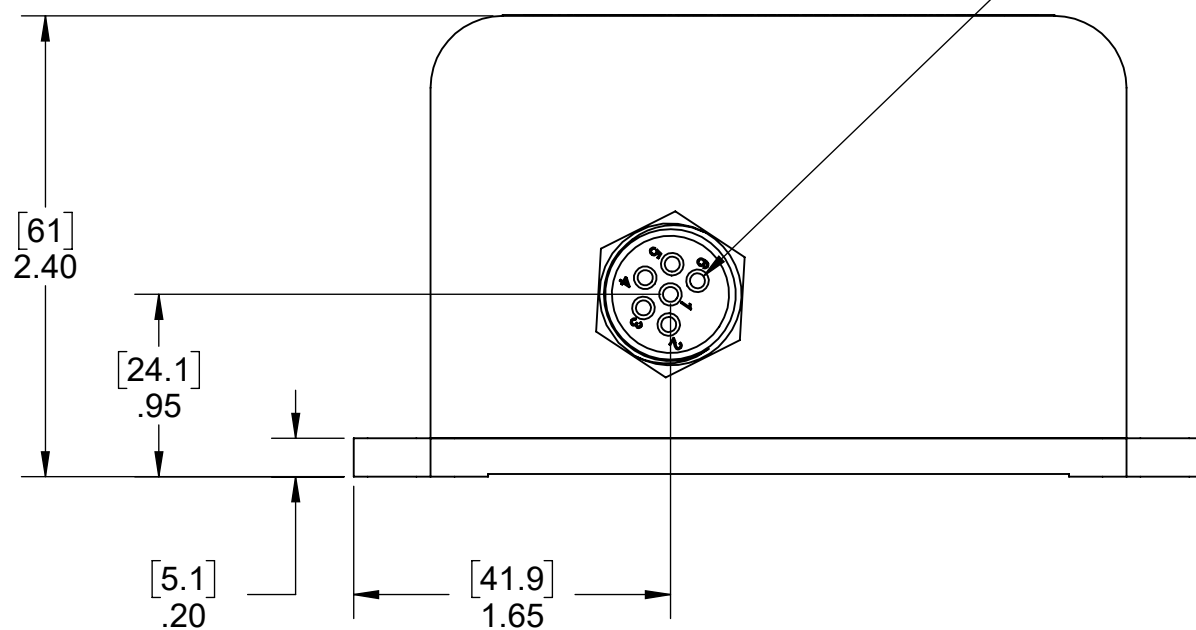
### CONNECTOR PINOUT

PIN	COLOR	ASSIGNMENT
1	BLACK	PWR GND
2	WHITE	SIGNAL GND
3	RED	PWR
4	N/C	N/C
5	ORANGE	TEMP
6	BLUE	Y-TILT

#### NOTES:

1. UNITS:  $\frac{[mm]}{IN}$

2. CONNECTOR PART NUMBER: SUBCONN MCBH6M. MATES WITH SUBCONN MCIL6F.



MATERIAL	DIMENSIONS UNITS ARE: [mm] INCH	 MANCHESTER, NH TRIPLETT MODUTEC A&M EMICO	TITLE A820-SW LONGITUDINAL A820 OUTLINE DRAWING	
	FINISH		TOLERANCE UNLESS SPECIFIED TWO PLACE DECIMALS .00 ± .01 THREE PLACE DECIMALS .000 ± .005 ANGLES ± 1°	DRAWING NO. OD98823
CHECKED BY	DATE	DRAWN BY TAD	DATE 6/23/2015	SCALE 1:1
APPROVED BY	DATE	<small>PROPRIETARY NOTICE</small> THIS DRAWING IS THE PROPERTY OF JEWELL INSTRUMENTS, LLC. NEITHER THIS DOCUMENT NOR THE DATA CONTAINED HEREIN SHALL BE DISCLOSED, REPRODUCED IN WHOLE OR IN PART WITHOUT THE WRITTEN AUTHORIZATION OF JEWELL INSTRUMENTS, LLC. NO RIGHT IS GRANTED TO DISCLOSE OR SO USE ANY INFORMATION CONTAINED HEREIN. ALL RIGHTS RESERVED.		CAGE CODE 33005
				SHEET 3 OF 3