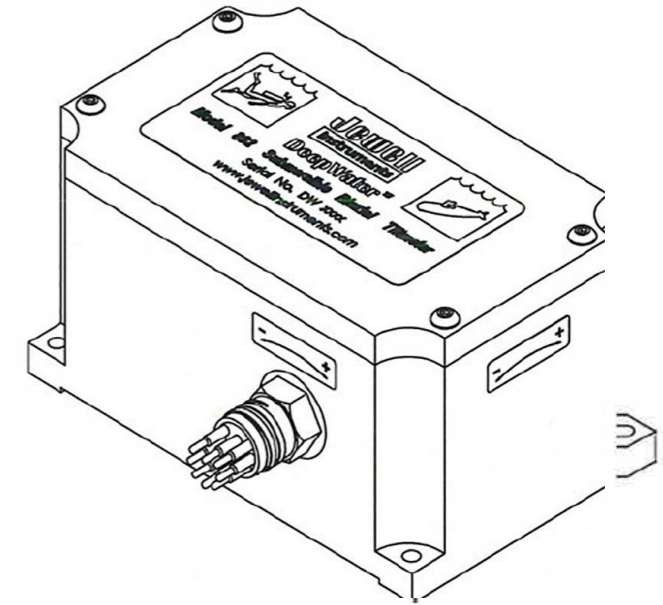
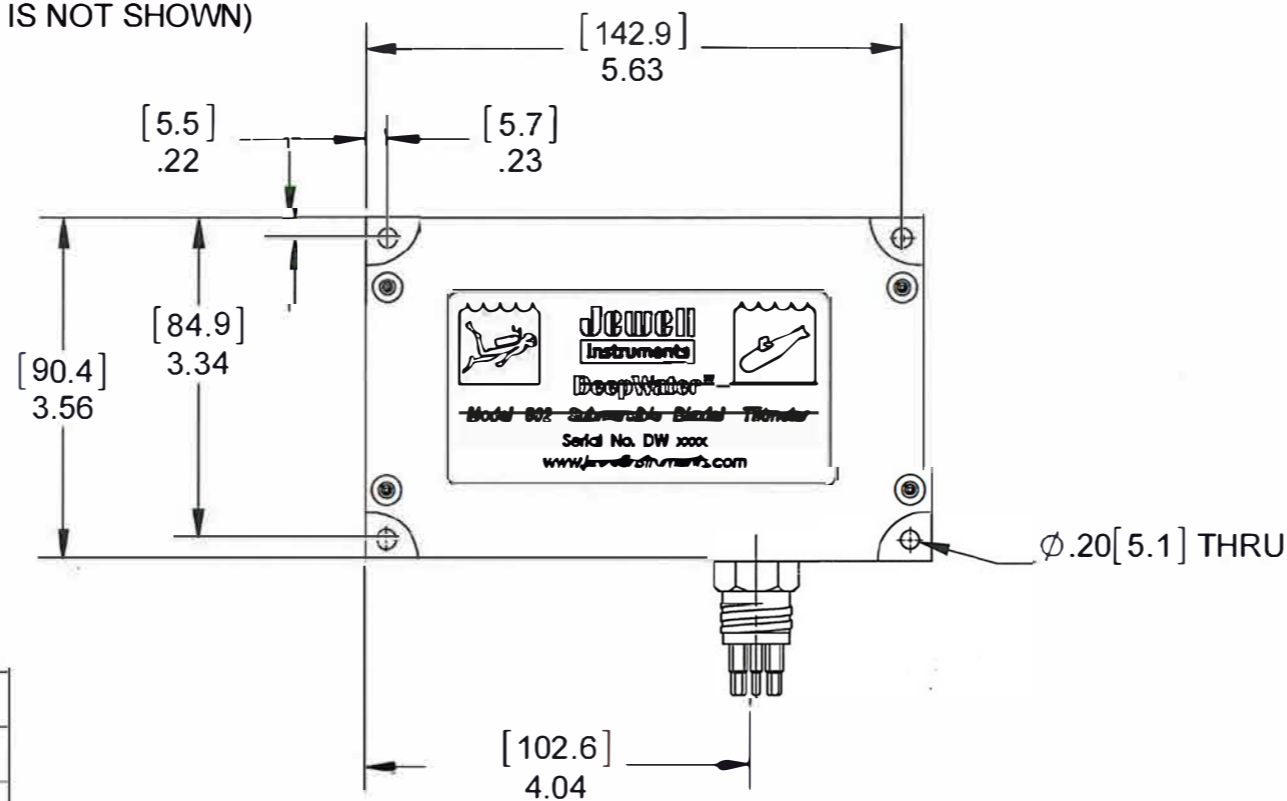
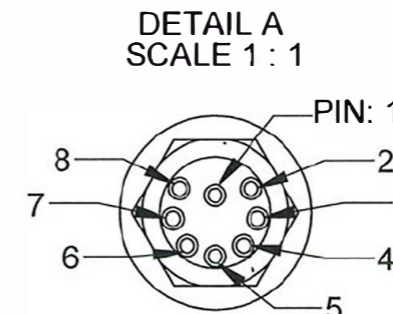
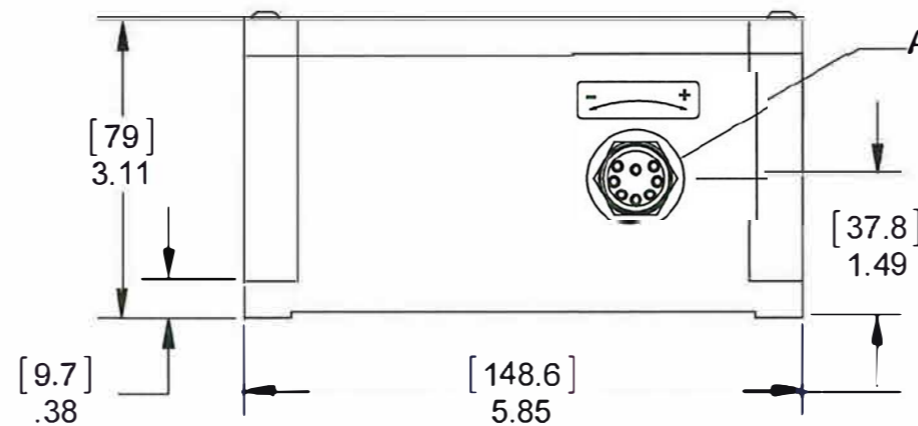



NOTES:

1. DIMENSIONS: [mm]  
IN
2. CABLE LENGTH STANDARD 11 FEET (CABLE IS NOT SHOWN)  
OTHER LENGTHS AVAILABLE ON DEMAND.
3. COMES WITH HARDWARE MOUNTING KIT.



SPECIFICATIONS:	
RANGE	±0.5° BIAxIAL
OUTPUT	±5 VDC SINGLE-ENDED AND ±10 VDC DIFFERENTIAL
POWER REQUIREMENT	+9 TO +35 VDC @ 8MA
HOUSING	316 STAINLESS STEEL
WEIGHT	[5kg] 11LB



FUNCTION	CONNECTOR
12V	3
POWER GND	1
SIGNAL GND	2
X+	4
X-	6
Y+	7
Y-	8
TEMP	5

APPLICATION	DIMENSIONS ARE IN INCHES AND APPLY TO PART BEFORE FINISHING	<p>MANCHESTER, NH TRIPLETT MODUTEC A&amp;M EMICO</p>	TITLE	MODEL A802 DEEPWATER TILTMETER
USED ON   NEXT ASSY	TOLERANCE UNLESS SPECIFIED TWO PLACE DECIMALS (.00) ± .01 THREE PLACE DECIMALS (.000) ± .005 ANGLES ± 1° RAW MATL - COMMERCIAL STANDARD		<p>PROPRIETARY NOTICE THIS DOCUMENT AND THE DATA CONTAINED HEREIN SHALL BE DISCLOSED, REPRODUCED IN WHOLE OR IN PART WITHOUT THE WRITTEN AUTHORIZATION OF JEWELL INSTRUMENTS, LLC. NO RIGHT IS GRANTED TO DISCLOSE OR SO USE ANY INFORMATION CONTAINED HEREIN. ALL RIGHTS RESERVED.</p>	DRAWING NO.
MATERIAL			SCALE	1:2
FINISH			CAGE CODE	33005
				SHEET 1 OF 1