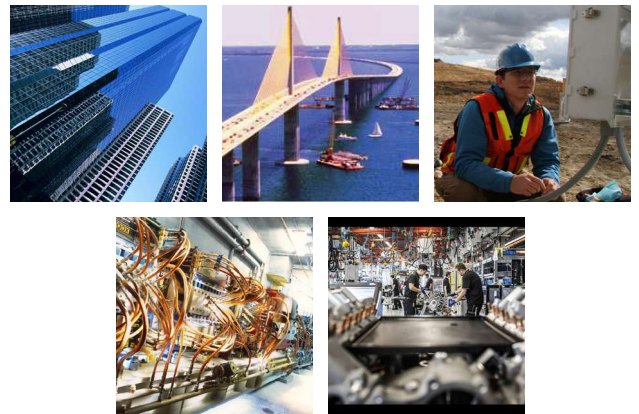
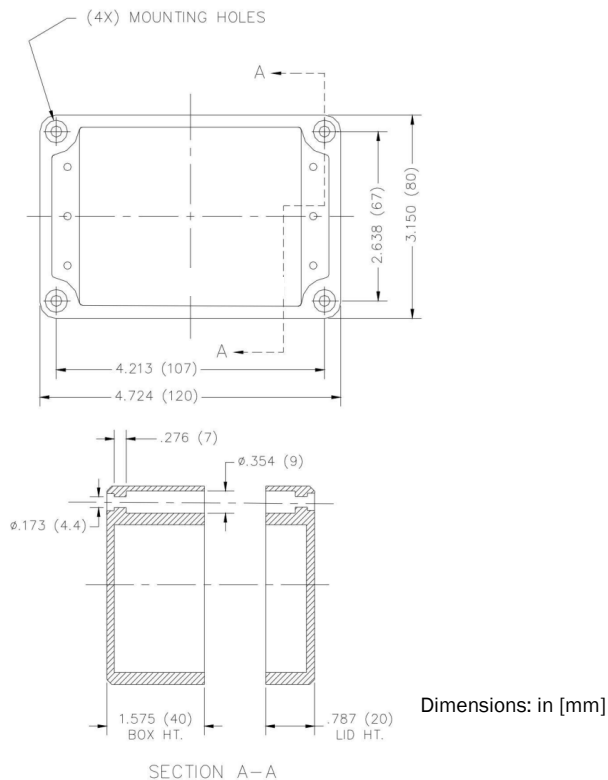


Model A801

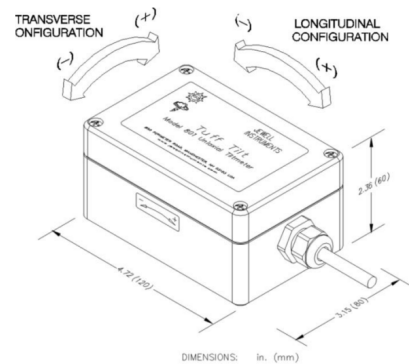
“Tuff Tilt” Analog Tiltmeter

The model 801 “Tuff Tilt” Analog Tiltmeter combines high precision and durability in an economical instrument package. Using an absolute gravity referenced electrolytic sensor, the A801 delivers superior measurement accuracy with virtually no long-term drift, and high-gain units are sensitive to <0.0017 mm/m or better. Output is a stable ± 5 DC voltage (± 10 VDC differential), which can be read with any VDC input datalogger. All units are rated IP65 waterproof for advanced protection from the elements. Use the A801 “Tuff Tilt” for structural monitoring, angle measurement and control,



APPLICATIONS:

- Structural Monitoring
- Platform Leveling
- Industrial Measurement & Control



PERFORMANCE SPECIFICATIONS

PERFORMANCE

ANGULAR RANGE (°) ¹	±0.5°	±3°	±50°
RESOLUTION	<0.0001°	0.0001°	0.002°
NONREPEATABILITY (° max)	<0.0002°	0.001°	0.02°
NONLINEARITY (%FRO) ² max	±1	±2	±0.5
SCALE FACTOR	0.1°/V	0.6°/V	10°/V
TIME CONSTANT	1.75 sec (2-pole Butterworth low-pass filter)		0.15 sec
Kz TEMP COEFFICIENT (°/°C)	±0.0002 °/°C (typical)		
Ks TEMP COEFFICIENT (%/°C)	0.02%/°C (typical)		
OUTPUT	±5VDC (single ended); ±10VDC (differential)		
CHANNELS	Tilt, Temperature		

ELECTRICAL & ENVIRONMENTAL

NUMBER OF AXES	1 or 2
OUTPUT IMPEDANCE (Ohms, nominal)	270
TEMPERATURE OUTPUT	0.1 °C/mV typical (single ended; 0 °C = 0mV)
POWER	8-18 VDC @ 8mA, 250 mV ripple max, reverse polarity protected
OPERATING TEMPERATURE RANGE	-25° to +70° C
STORAGE TEMPERATURE RANGE	-30° to +100° C
WEIGHT	0.6 kg (1.5 lb.)
MATERIALS	Diecast painted aluminum
SEAL	IP65
CABLE	3m (10 ft) 6 conductor + one overall shield, PVC jacket, tined ends

PIN OUT:

Single Axis

WIRE COLOR	FUNCTION
RED	+VIN
BLACK	GND
WHITE	SIG GND
GREEN	+X
BLUE	-X
YELLOW	TEMP

Biaxial

WIRE COLOR	FUNCTION
RED	+VIN
BLACK	GND
WHITE	SIG GND
GREEN	+X
GRAY	-X
YELLOW	TEMP
BLUE	+Y
BROWN	-Y

NOTES:

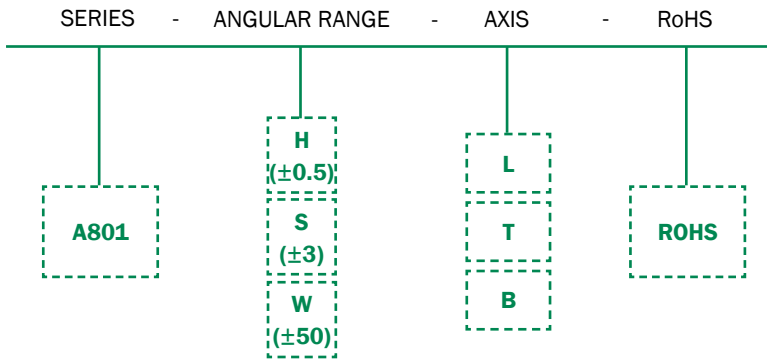
1. Custom ranges available on request
2. Nonlinearity is specified as deviation of output referenced to theoretical sine function value, independent of misalignment

Specifications are subject to change without notice due to continued product development



ORDERING INFORMATION

HOW TO ORDER Model Numbers are comprised of the series, the number of axes, and the angular range.



	MODEL #	PART #
±0.5	A801-HL-ROHS	98801-04-ROHS
	A801-HT-ROHS	98801-01-ROHS
	A801-HB-ROHS	98801-07-ROHS
±3	A801-SL-ROHS	98801-05-ROHS
	A801-ST-ROHS	98801-02-ROHS
	A801-SB-ROHS	98801-08-ROHS
±50	A801-WL-ROHS	98801-06-RORS
	A801-WT-ROHS	98801-03-ROHS
	A801-WB-ROHS	98801-09-ROHS

Accessories:

PART #	DESCRIPTION
00389	Extra 8-socket Female in-line connector, Neoprene, on 24-inch (60 cm) Cable Whip (bare wire leads)
00359	Extra Delrin Locking Sleeve (locks 00358 and 00389 in-line connector to Male bulkhead)
00358-xxx	Extra 6-socket Female in-line connector, Neoprene, (bare wire leads) price per foot