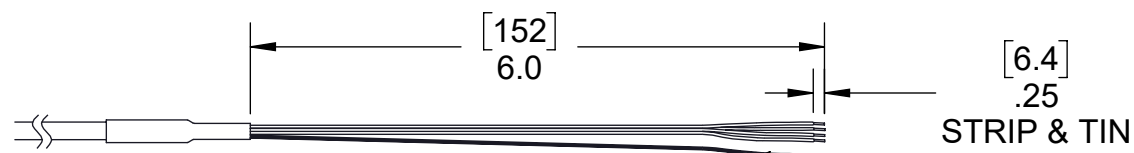
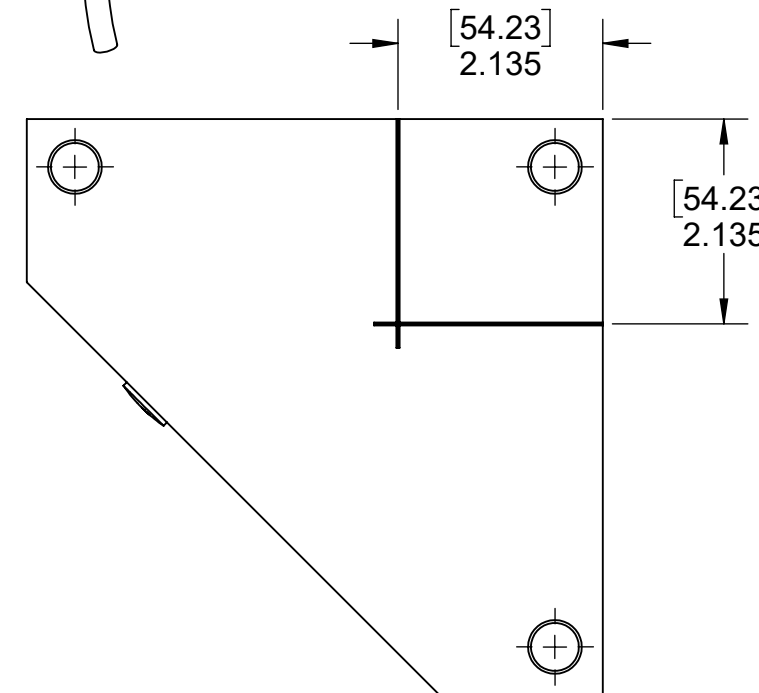
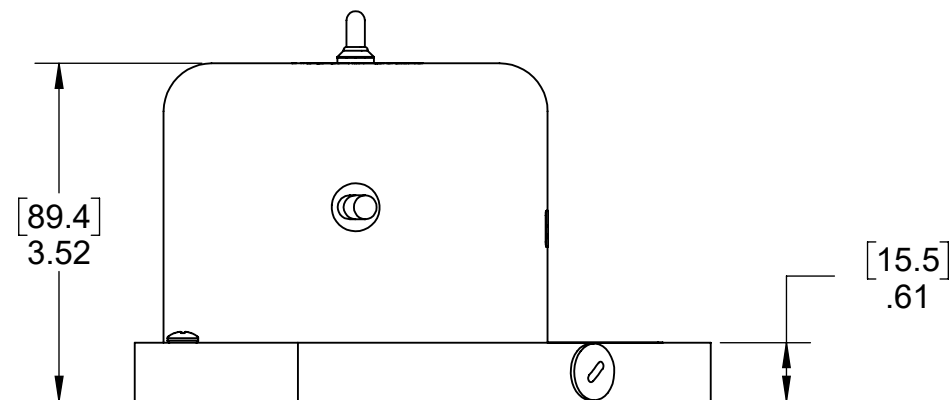
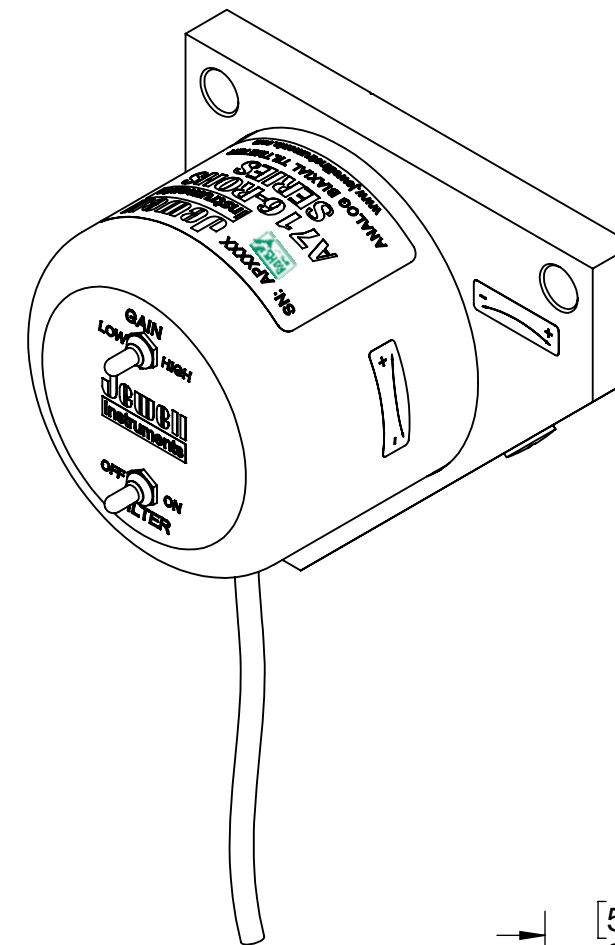
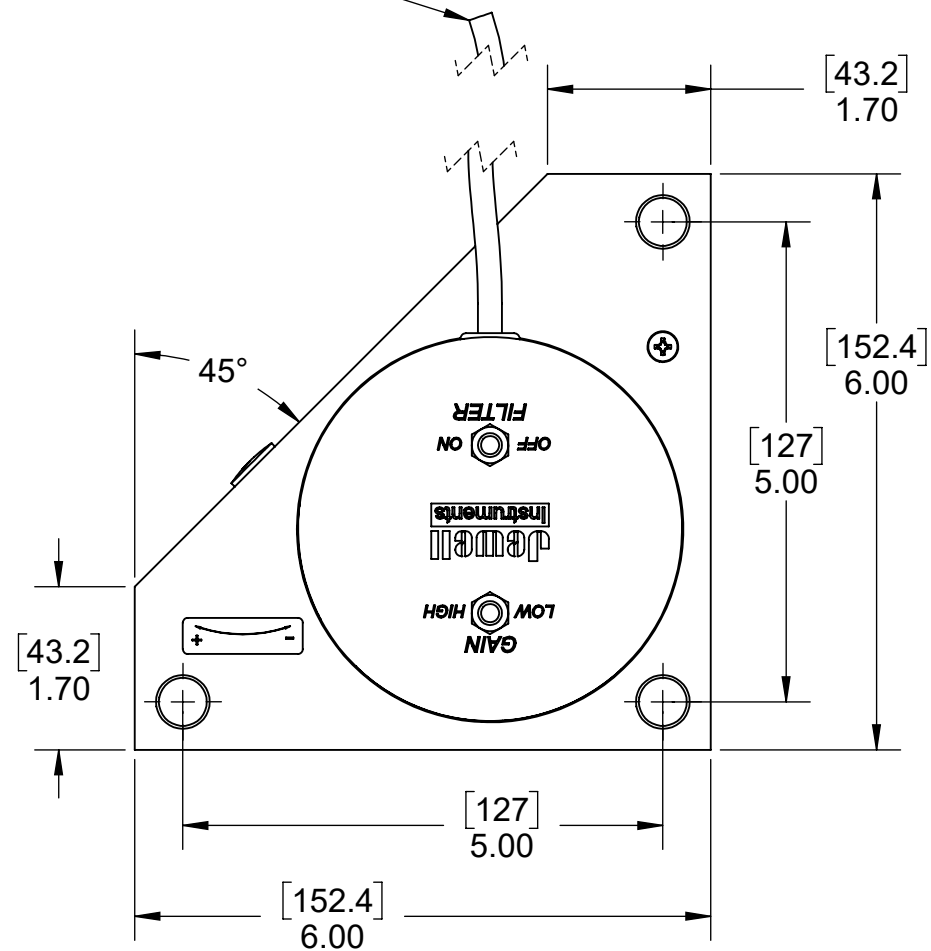


COLOR	FUNCTION
RED	+12 TO +15V
BLACK	PWR GND
VIOLET	-12 TO -15V
BLUE	+ Y-TILT
BROWN	- Y-TILT
GRAY	- X-TILT
GREEN	+ X-TILT
WHITE	SINGAL GND
YELLOW	TEMP
NATURAL (CLEAR TUBING)	CABLE SHIELD DRAIN

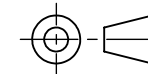
SEE CABLE
TERMINATION
DETAIL



CABLE SHIELD DRAIN
(CLEAR TUBING)

CABLE TERMINATION DETAIL

DIMENSIONS UNITS ARE: [mm]
INCH
TOLERANCE UNLESS SPECIFIED
TWO PLACE DECIMALS .00 ± .01
THREE PLACE DECIMALS .000 ± .005
ANGLES ± 1°



Jewell
Instruments

MANCHESTER, NH
TRIPLETT MODUTEC A&M EMICO

PROPRIETARY NOTICE
THIS DRAWING IS THE PROPERTY OF JEWELL INSTRUMENTS, LLC. NEITHER
THIS DOCUMENT NOR THE DATA CONTAINED HEREIN SHALL BE DISCLOSED,
REPRODUCED IN WHOLE OR IN PART WITHOUT THE WRITTEN AUTHORIZATION
OF JEWELL INSTRUMENTS, LLC. NO RIGHT IS GRANTED TO DISCLOSE OR SO
USE ANY INFORMATION CONTAINED HEREIN. ALL RIGHTS RESERVED.

TITLE

A716, ROHS
OUTLINE DRAWING

DRAWING NO.

OD98716-5453-ROHS

REV.

A

SCALE

1:2

CAGE CODE

33005

SHEET 1 OF 1