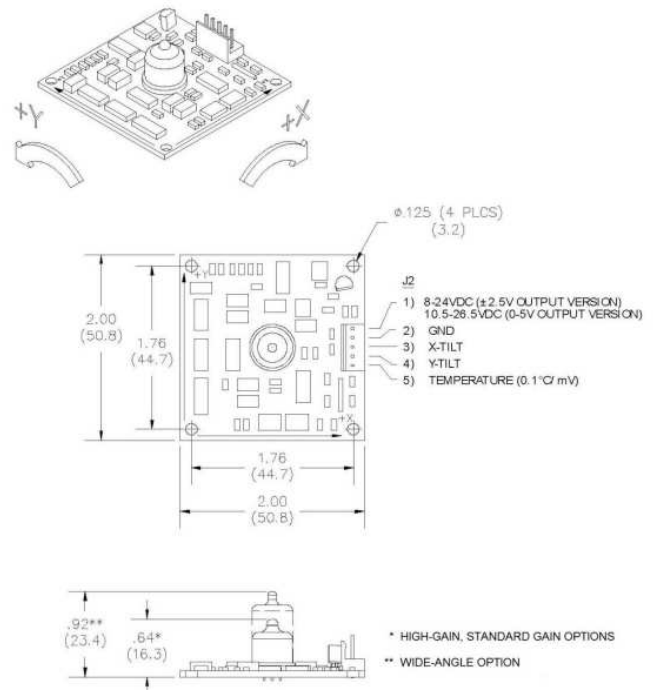
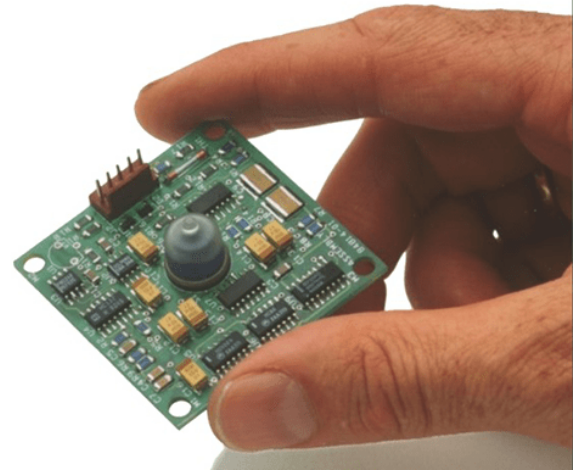


Model 900 Biaxial Clinometer

The model 900 Biaxial Clinometer is an inexpensive, gravity-referenced clinometer (tiltmeter) with a wide dynamic range. Its small size and high precision make it a versatile choice for many measurement and control applications. Units are available with +/-2.5V or 0-5V DC output. Custom calibration ranges are also available on request. Units ship standard with 18" hook-up cable. Use the model 900 for industrial pitch and roll measurements, platform position and control, OEM assemblies, specialized research applications, and more.



PERFORMANCE SPECIFICATIONS

PERFORMANCE

VERSION	High-Gain	Standard	Wide-Angle
ANGULAR RANGE (°) ¹	±10°	±25°	±50°
SCALE FACTOR	4°/V	10°/V	25°/V
NONLINEARITY (%FRO) ² max	1%	2.5%	7%
NONREPEATABILITY	0.02°		
RESOLUTION	0.005°	0.01°	0.02°
TIME CONSTANT	0.15 sec		
Kz TEMP COEFFICIENT (°/C)	10-20 arcsec/C (typical)		
Ks TEMP COEFFICIENT (%/°C)	0.03%/C (typical)		
OUTPUT	±2.5 VDC or 0-5 VDC		
CHANNELS	X-tilt, Y-tilt, Temperature		

ELECTRICAL & ENVIRONMENTAL

NUMBER OF AXES	2
OUTPUT IMPEDANCE (Ohms, nominal)	270
NATURAL FREQUENCY	10 Hz
POWER	+8 to +24 VDC (bipolar output); +10.5 to +26.5 VDC (0-5V output); 7mA, 250 mV ripple max, reverse polarity protected
OPERATING TEMPERATURE RANGE	-40° to +85° C
STORAGE TEMPERATURE RANGE	-40° to +85° C
WEIGHT	0.5 oz. (15g)
MATERIALS	Glass electrolytic sensor, fiberglass PCB

PIN OUT:

CONNECTOR	FUNCTION
RED	V+
BLACK	GND
GREEN	X-OUT
BLUE	Y-OUT
YELLOW	TEMPOUT

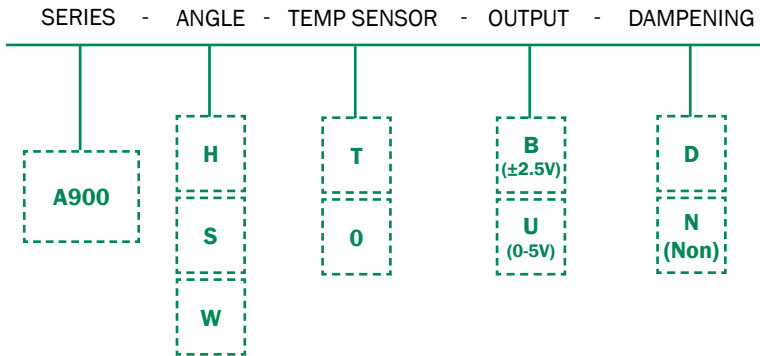
NOTES:

1. Custom ranges available on request
2. Nonlinearity is specified as deviation of output referenced to theoretical sine function value, independent of misalignment

Specifications are subject to change without notice due to continued product development

ORDERING INFORMATION

HOW TO ORDER Model Numbers are comprised of the series, the number of axes, and the angular range.



MODEL #	PART #
A900-H0-BN	98900-09
A900-H0-BD	98900-11
A900-H0-UN	98900-21
A900-H0-UD	98900-23
A900-HT-BN	98900-10
A900-HT-BD	98900-12
A900-HT-UN	98900-22
A900-HT-UD	98900-24
A900-S0-BN	98900-01
A900-S0-BD	98900-05
A900-S0-UN	98900-13
A900-S0-UD	98900-17
A900-ST-BN	98900-02
A900-ST-BD	98900-06
A900-ST-UN	98900-14
A900-ST-UD	98900-18
A900-W0-BN	98900-03
A900-W0-BD	98900-07
A900-W0-UN	98900-15
A900-W0-UD	98900-19
A900-WT-BN	98900-04
A900-WT-BD	98900-08
A900-WT-UN	98900-16
A900-WT-UD	98900-20

Accessories:

PART #	DESCRIPTION
81100-05	Extra 18-inch Cable Pigtail for A900, A901, & A902 Analog Clinometers
81102-01	Extra 18-inch Cable Pigtail for C901 & C902 4-20mA Clinometers
84063-01	Extra 24-inch Cable Assembly for Iris Tilt Switch, RS232 w/ DB9-sub Connector
84088-01	Extra 24-inch Cable Assembly for Iris Tilt Switch, RS422 w/ DB9-sub Connector
84083-01	Advanced Tilt Switch Control Cable (Connects to H3 on IRIS Tilt Switch), 24-inch Flying Leads

850 Perimeter Road Manchester, NH 03103 USA

SENSORS: 800.227.5955

www.jewellinstruments.com | sensors@jewellinstruments.com

© Jewell Instruments 2020

Jewell
Instruments

ISO9001
CERTIFIED