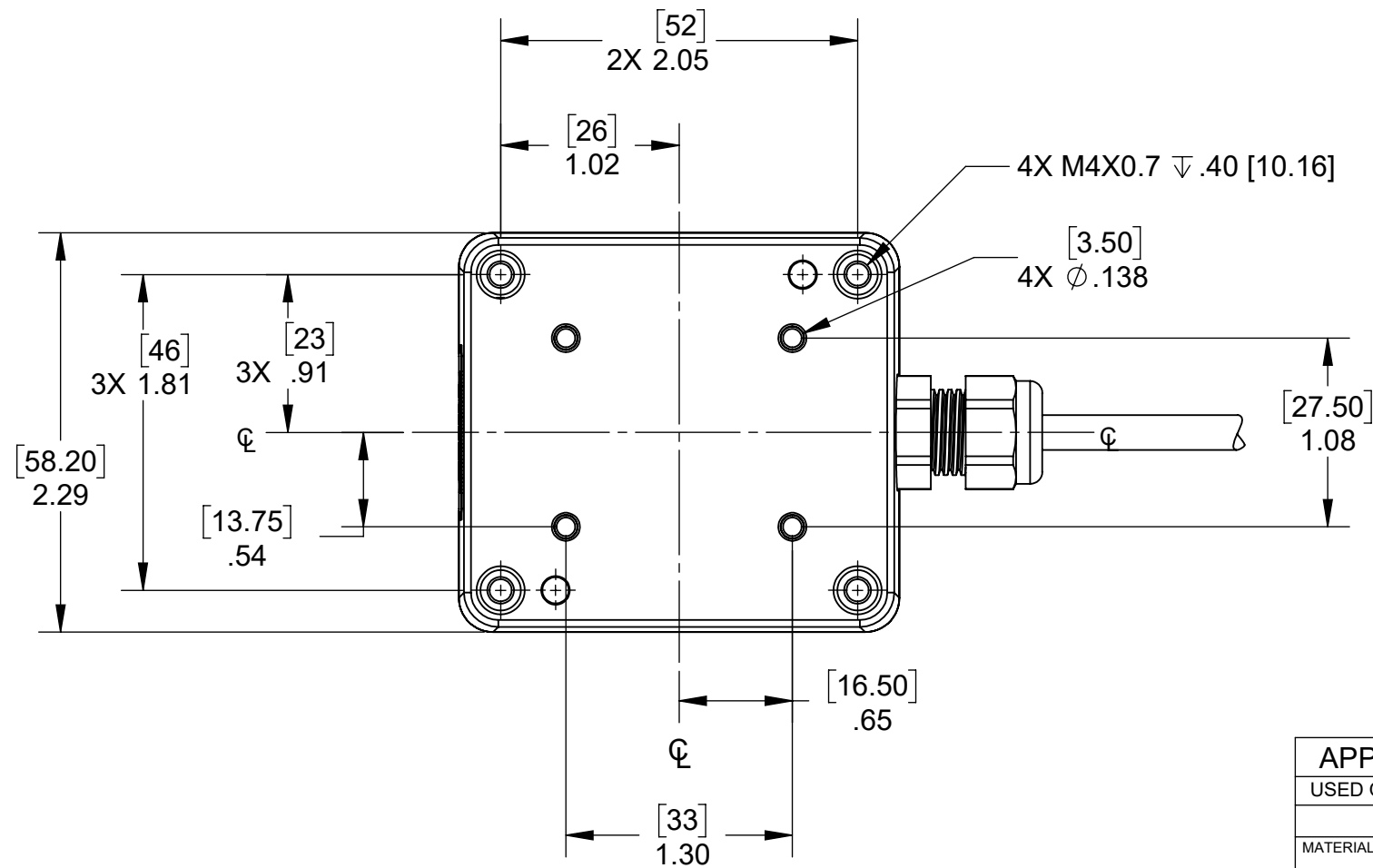
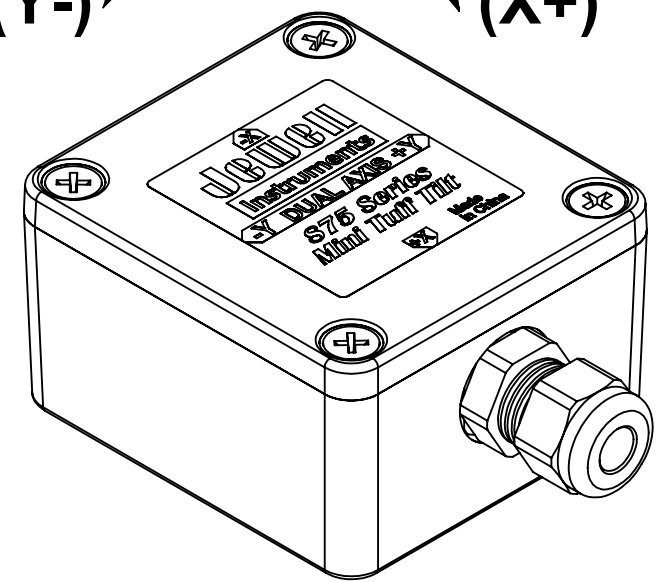
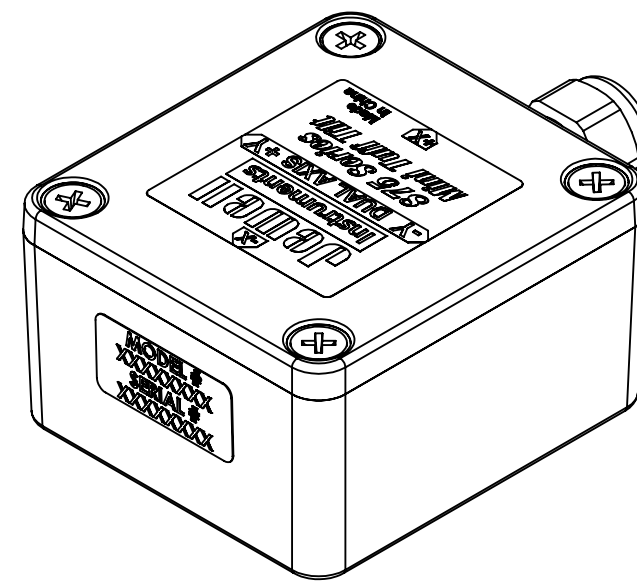
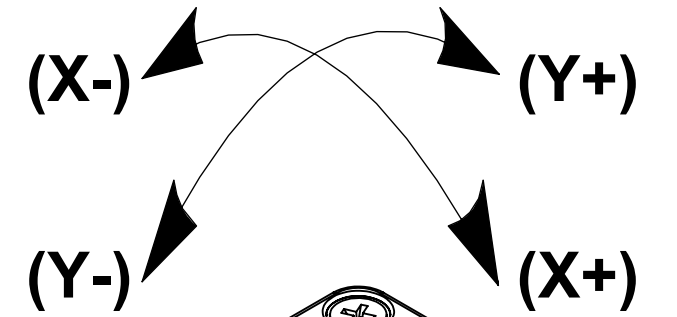
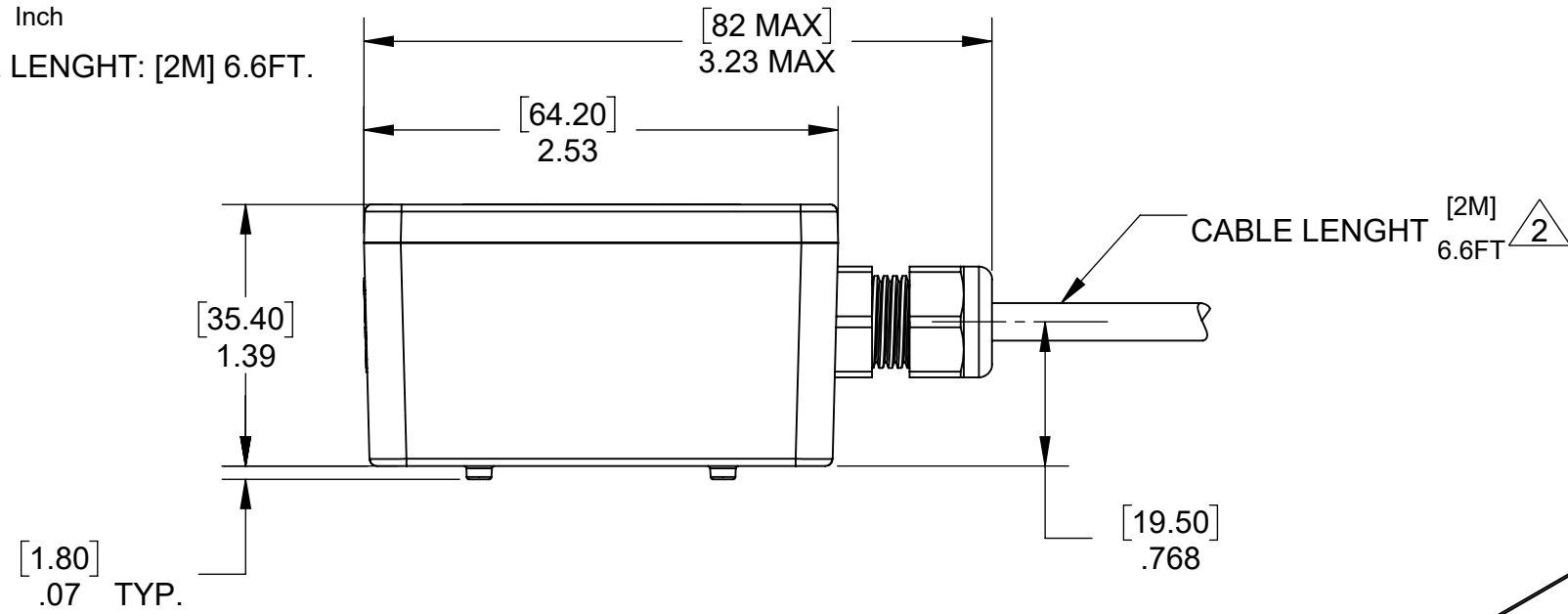


NOTES:

1. UNITS: [mm]
Inch

2. CABLE LENGHT: [2M] 6.6FT.



WIRE COLOR	OUTPUT OPTIONS			
	0.5-4.5V	4-20mA	RS485	RS232
RED	+ PWR	+ PWR	+ PWR	+ PWR
BLACK	GND	GND	GND	GND
YELLOW	N/C	N/C	D+(A)	TXD
BLUE	N/C	N/C	D-(B)	RXD
GREEN	ZERO CAL	ZERO CAL	ZERO CAL	ZERO CAL
WHITE	X-OUT	X-OUT	N/C	N/C
BROWN	Y-OUT	Y-OUT	N/C	N/C

APPLICATION	DIMENSIONS ARE IN INCHES AND APPLY TO PART BEFORE FINISHING	
USED ON	NEXT ASSY	TOLERANCE UNLESS SPECIFIED
		TWO PLACE DECIMALS (.00) ± .01
		THREE PLACE DECIMALS (.000) ± .005
MATERIAL		ANGLES ± 1°
		RAW MATL - COMMERCIAL STANDARD
FINISH		

Jewell Instruments
MANCHESTER, NH
TRIPLETT MODUTEC A&M EMICO

PROPRIETARY NOTICE
THIS DRAWING IS THE PROPERTY OF JEWELL INSTRUMENTS, LLC. NEITHER THIS DOCUMENT NOR THE DATA CONTAINED HEREIN SHALL BE DISCLOSED, REPRODUCED IN WHOLE OR IN PART WITHOUT THE WRITTEN AUTHORIZATION OF JEWELL INSTRUMENTS, LLC. NO RIGHT IS GRANTED TO DISCLOSE OR SO USE ANY INFORMATION CONTAINED HEREIN. ALL RIGHTS RESERVED.

TITLE	
875 SERIES OUTLINE DRAWING	
DRAWING NO.	REV
OD98875	6
SCALE	CAGE CODE
1:1	33005
SHEET 1 OF 1	