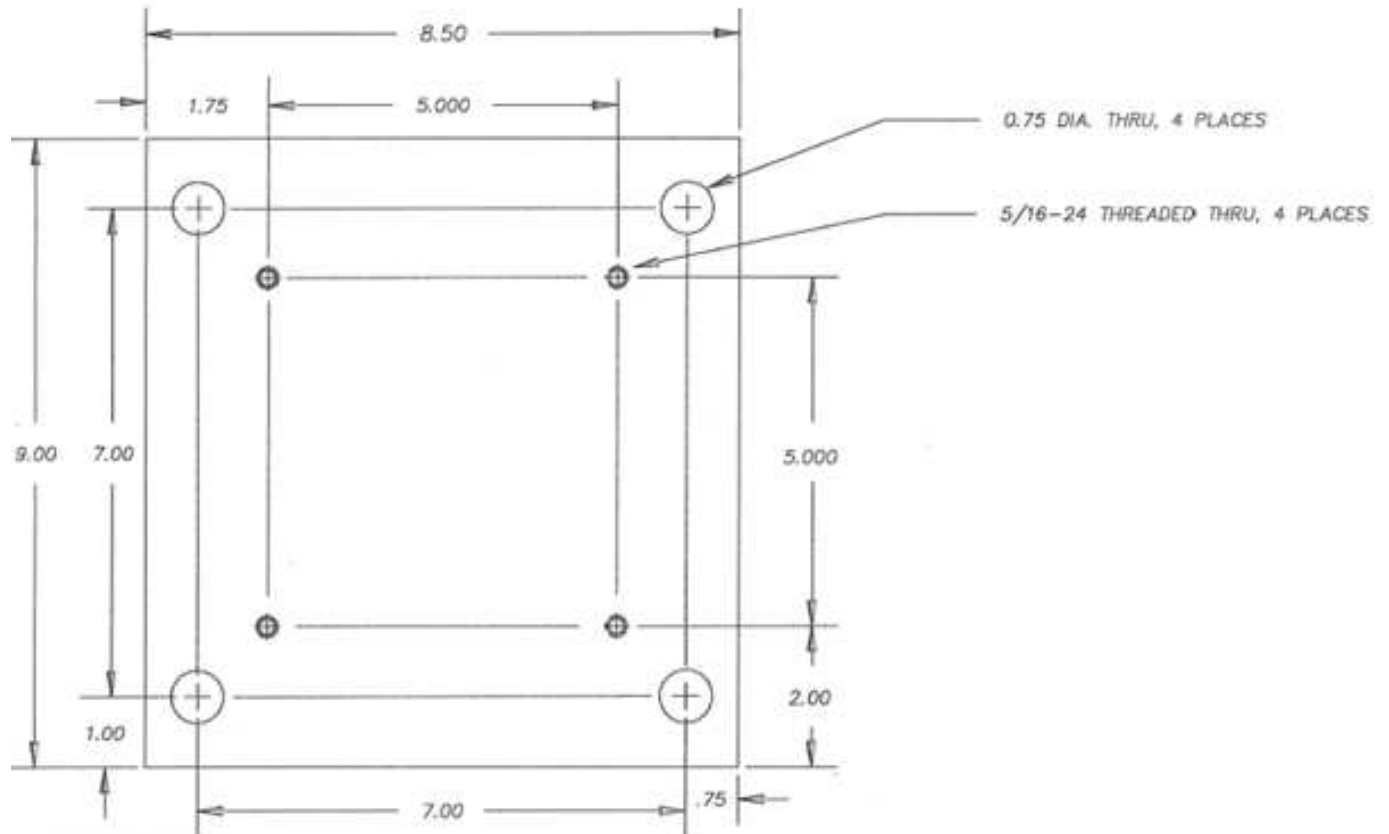


718-AL (PN 01224-01)

Horizontal Mounting Plate, 8.5 x 9.0 x 0.5 inches

Dimensions are in inches

½ inch thick.



719-AL (PN 01157-01)

Vertical Mounting Bracket, L-bracket style

