



Value and quality at a reasonable cost, with features not found in similar products!

Features:

- Replacement scales are readily available and easily replaced without chance of damage to the movement.
- Large, easy-to-read scales, clearly illuminated from ambient light.
- These panel meters feature a unique case design, an enclosed meter movement with scales behind an internal housing for greater dust resistance than conventional front and rear meter case design.
- AC ammeters use pivot and jewel movements.
- High current self-contained AC ammeters feature integral shields which minimize stray flux field effects
- DC meters use taut-band movements

Specifications - DC Ammeters

Accuracy*	±2% of full scale
ANSI Specification	All meters meet ANSI C-39.1 - 1981
Overload	2" from pivot center
Voltmeters	150% momentary; 120% sustained
Ammeters	10 x rated current, 10 consecutive intervals of ½ second with a 4 minute interval between successive applications, 120% for 6 hours.
Scale Length	3½" - 3.05"; 4½" - 3.82"
Scale Degrees	90° arc
Insulation Level	2600VRMS, 1 min.
Response Time	1.5 sec.
Resistance	± 10%

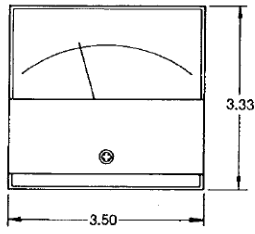
*On zero-center meters, specification applies to full scale, not end scale value, e.g. 50-0-50mv is 100mv full scale.

Specifications - AC Meters

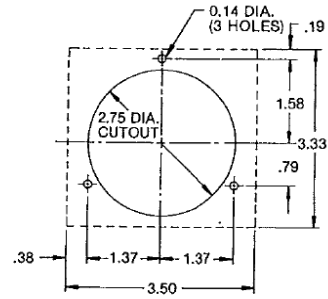
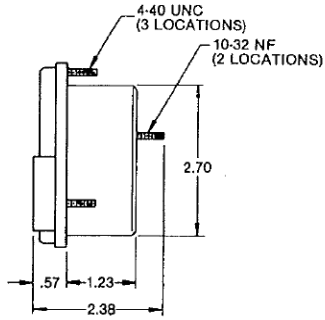
Accuracy	±2% Iron-Vane, 50/60 Hz ±3% Rectifier Type, 60 Hz When standard 60 Hz ammeters are used on the extreme limits of 25 or 400 Hz, an additional 0.75% error may be experienced.
ANSI Specification	All meters meet ANSI C-39.1 - 1981
Overload	2" from pivot center
Voltmeters	150% momentary; 120% sustained
Ammeters	Momentary - 10 x rated current, 10 consecutive intervals of ½ second with a 1 minute interval between successive applications; sustained, 120% for 6 hours.
Scale Length	3½" - 3.06"; 4½" - 3.82"
Scale Degrees	90° arc
Insulation Level	2600VRMS, 1 min.
Burden Data	AC Ammeter: .7VA, 0.7PF lag AC Voltmeter: .8VA unity PF
Response Time	2.5 sec. max.
Resistance	±30% iron-vane
Shielding	All high current AC meters contain internal shielding.

www.jewellinstruments.com

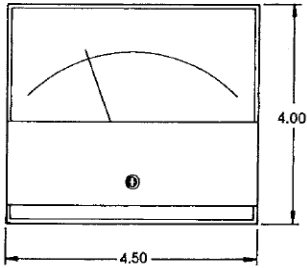
Outline Drawing - 2810 Series



3 1/2" PANEL METERS

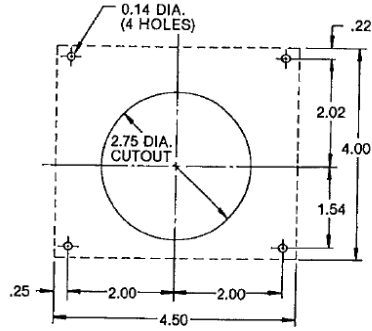
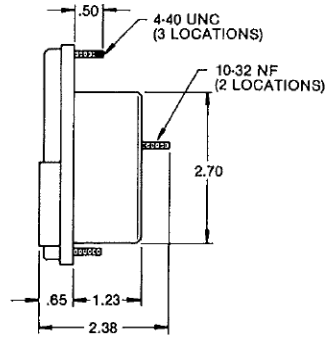


CUTOUT AND DRILLING DETAIL FOR 3 1/2" PANEL METERS



4 1/2" PANEL METERS

METER DIMENSIONS



CUTOUT AND DRILLING DETAIL FOR 4 1/2" PANEL METERS

MOUNTING DIMENSIONS

How to Order

Please refer to the 2810 Series Catalog.

Panel Meter Sales Contact Information

Toll Free 800-638-3771

meters@jewellinstruments.com

www.jewellinstruments.com

©2014 Jewell Instruments LLC | 850 Perimeter Road | Manchester, NH 03103 | 800-638-3771